

Page The Essentials for...

137	Flat Mount Table of Contents	
138	Tenon	Coping Hold Down - Continuous Fence
139	Air Tenon Jig - Continuous Fence
140	Coping Hold Down - Split Fence
141	Air Tenon Jig - Split Fence
142	Stile & Rail Sticking	Sticker Plate with Hold Down
143	Sticker Plate & Power Feeder
145	Crown Rail Sticking - Manual Setup
146	Sticker Guide & Fence with Hold Down
147	Sticker Guide & Fence with Power Feeder
149	Crown Panel Trimming	Manual Jig
150	Panel Raising	Single Raise Hold Down
151	Single Raise Hold Down & Power Feeder
152	Partial Offset Hold Down
153	Partial Offset Hold Down & Power Feeder
154	Crown Rail & Panel Trimming	Shapermaster™ Air Jig - Dead Collar
158	Shapermaster™ Air Jig - Bearing
155	Crown Panel Raising	Shapermaster™ Air Jig - Dead Collar
159	Shapermaster™ Air Jig - Bearing
157	Crown Rail Sticking	Shapermaster™ Air Jig - Dead Collar
161	Shapermaster™ Air Jig - Bearing
162	Door Edge	Continuous Fence
163	Split Fence

MANUFACTURED IN U.S.A.

www.weaver-company.com

Phone 1-913-831-1800

CALL TOLL FREE 1-800-255-6214

Fax 1-913-831-2974

Copyright © 2012 all Rights Reserved

WEAVER COMPANY - 1108 SOUTH 37TH STREET - KANSAS CITY, KS 66106 USA

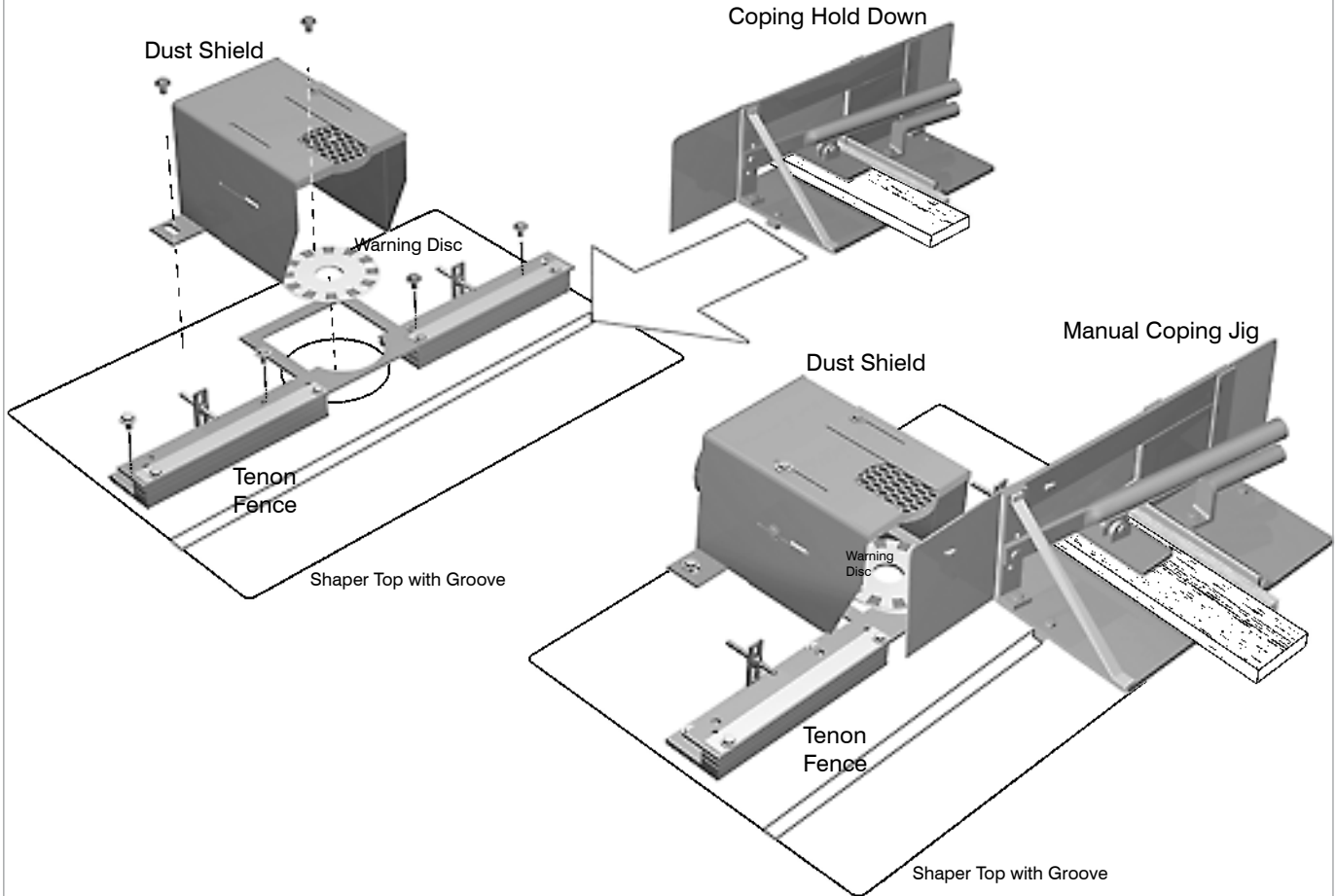
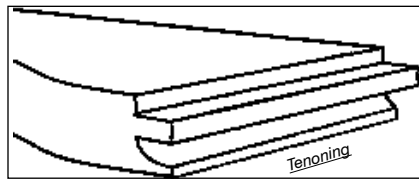
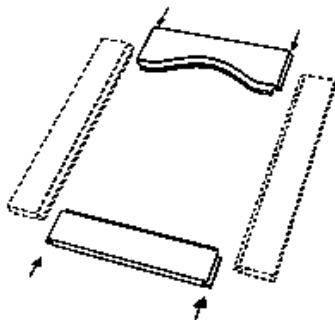
- 137 -

Coping Hold Down - Continuous Fence

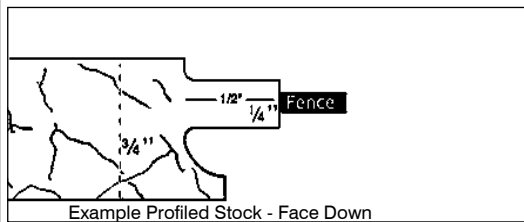
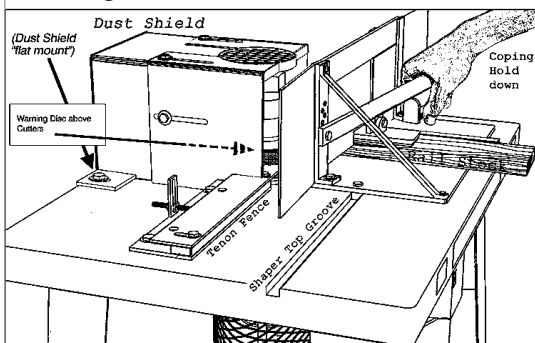
Tenon Setup - Flat Mounting Coping Hold Down

Item#	Description	Price
HD225W	Coping Hold Down	295
FE25	Tenon Fence	179
WD	Warning Disc	23
DS441F	Dust Shield	195

		\$ 692



Tenoning



MANUFACTURED IN U.S.A.

Phone 1-913-831-1800

CALL TOLL FREE 1-800-255-6214

Fax 1-913-831-2974

www.weaver-company.com

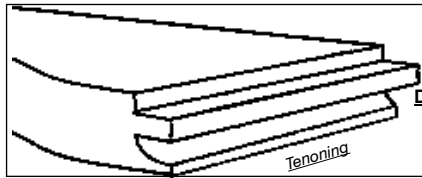
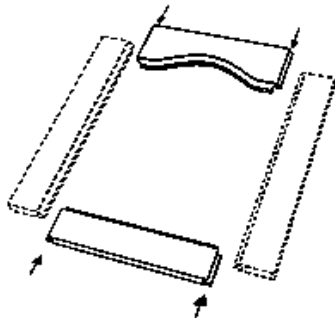
WEAVER

Tenon

Shaper Essentials™
FLAT MOUNT

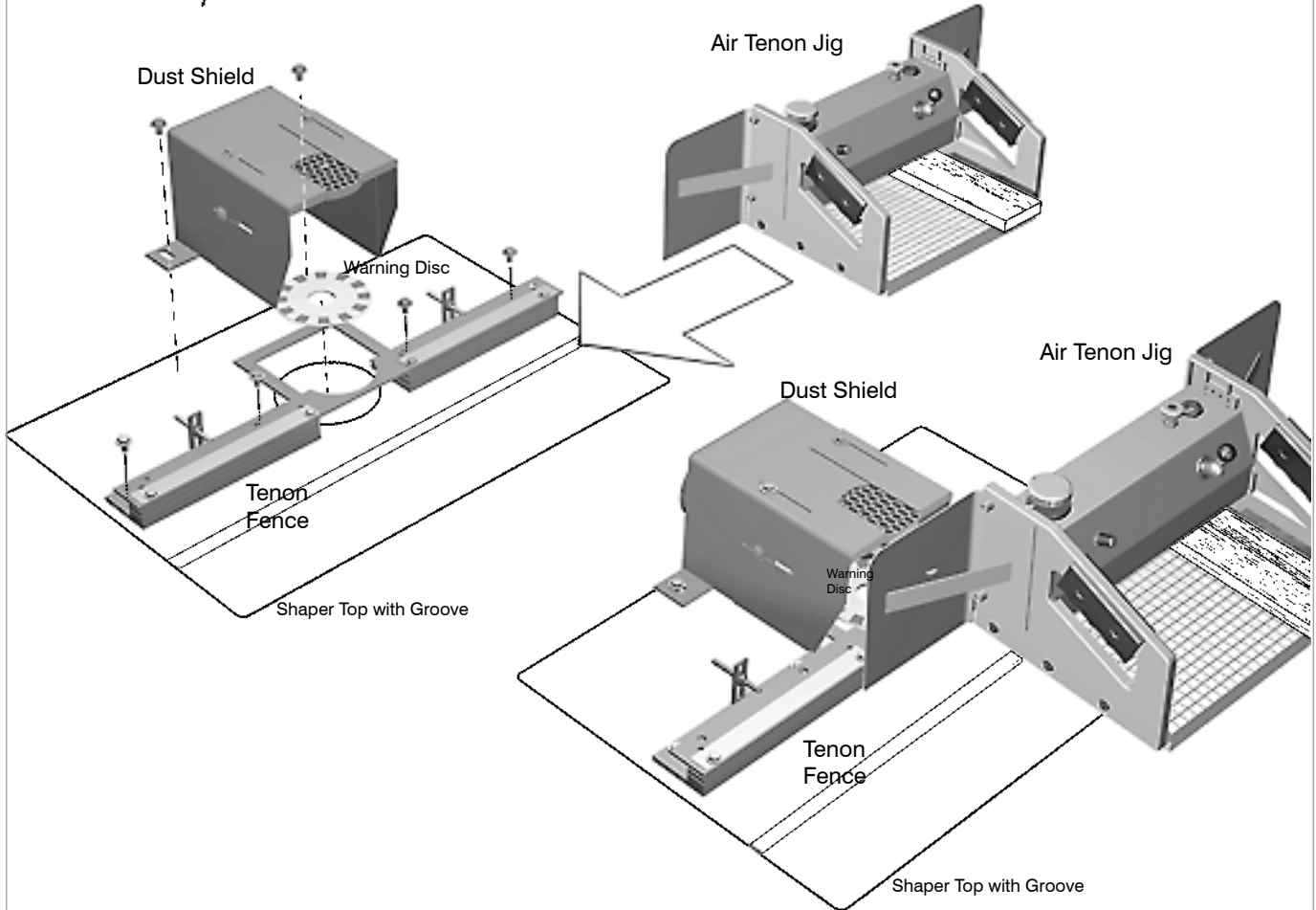
Air Tenon Jig - Continuous Fence

**Tenon Setup - Flat Mounting
Air Tenon Jig**

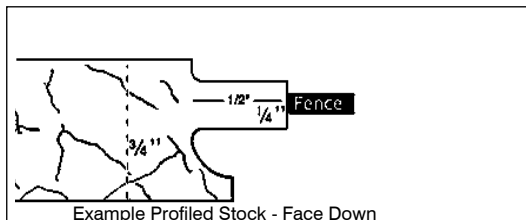
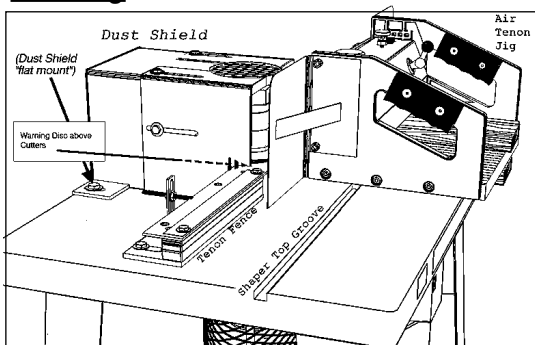


Description	Price	Item#
AJ1201RW Air Tenon Jig		1,195
FE27 Tenon Fence		179
WD Warning Disc		23
DS441F Dust Shield		195

		\$1,592



Tenoning



Example Profiled Stock - Face Down

MANUFACTURED IN U.S.A.

www.weaver-company.com

Phone 1-913-831-1800

CALL TOLL FREE 1-800-255-6214

Fax 1-913-831-2974

Copyright © 2012 all Rights Reserved

WEAVER COMPANY - 1108 SOUTH 37TH STREET - KANSAS CITY, KS 66106 USA

- 139 -

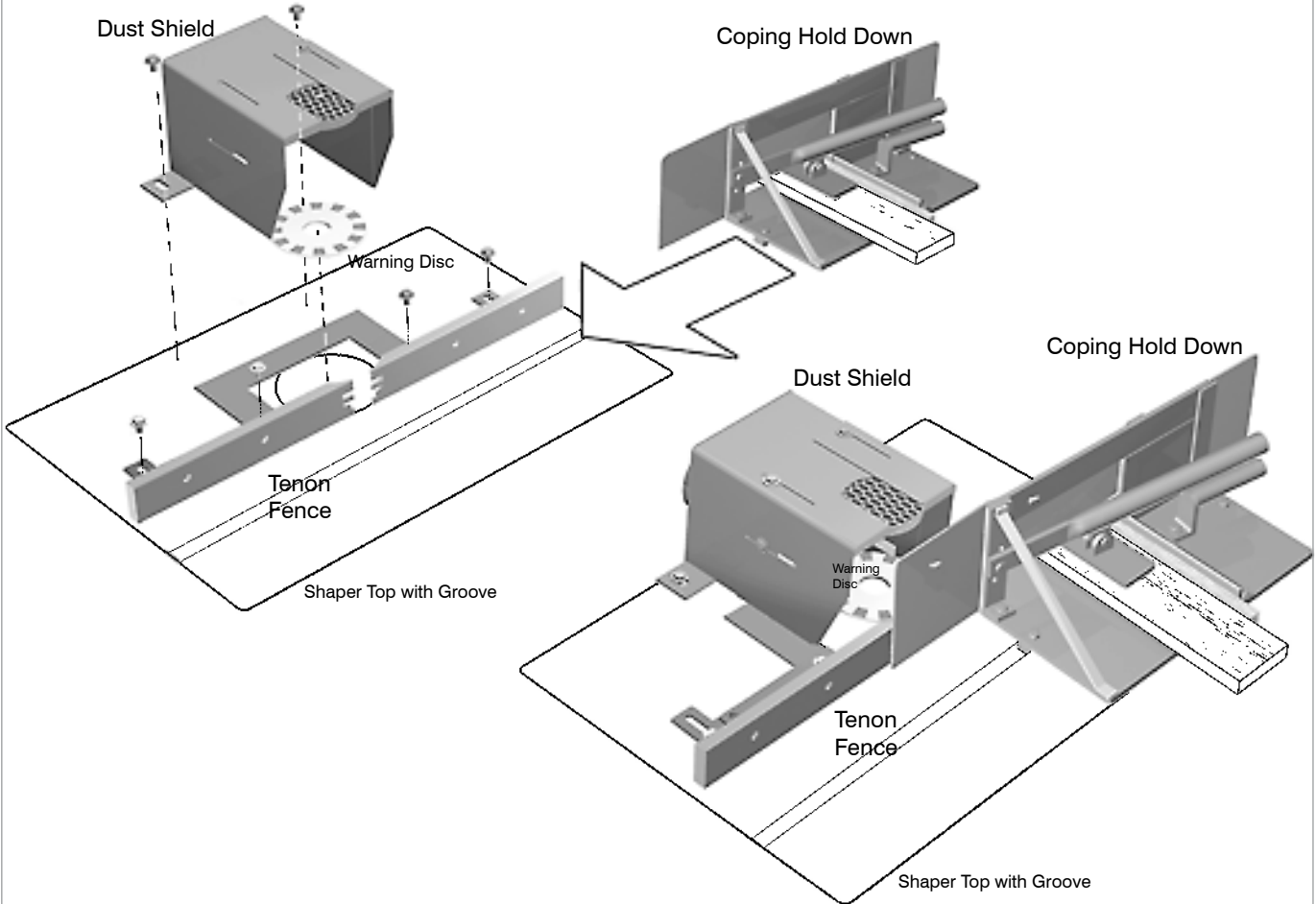
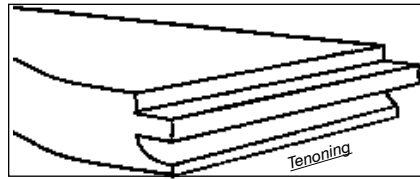
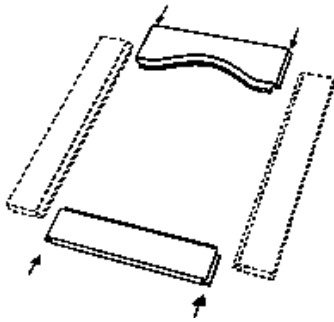
Tenon

Coping Hold Down - Split Fence

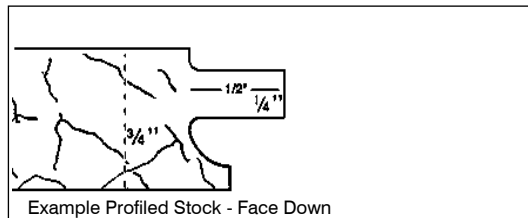
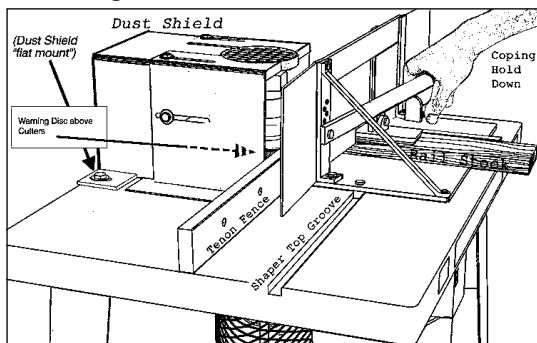
Tenon Setup - Flat Mounting Coping Hold Down

Item#	Description	Price
HD225W	Coping Hold Down	295
FE5628	Tenon Fence	179
WD	Warning Disc	23
DS441F	Dust Shield	195

		\$ 692



Tenoning



MANUFACTURED IN U.S.A.

Phone 1-913-831-1800

CALL TOLL FREE 1-800-255-6214

Fax 1-913-831-2974

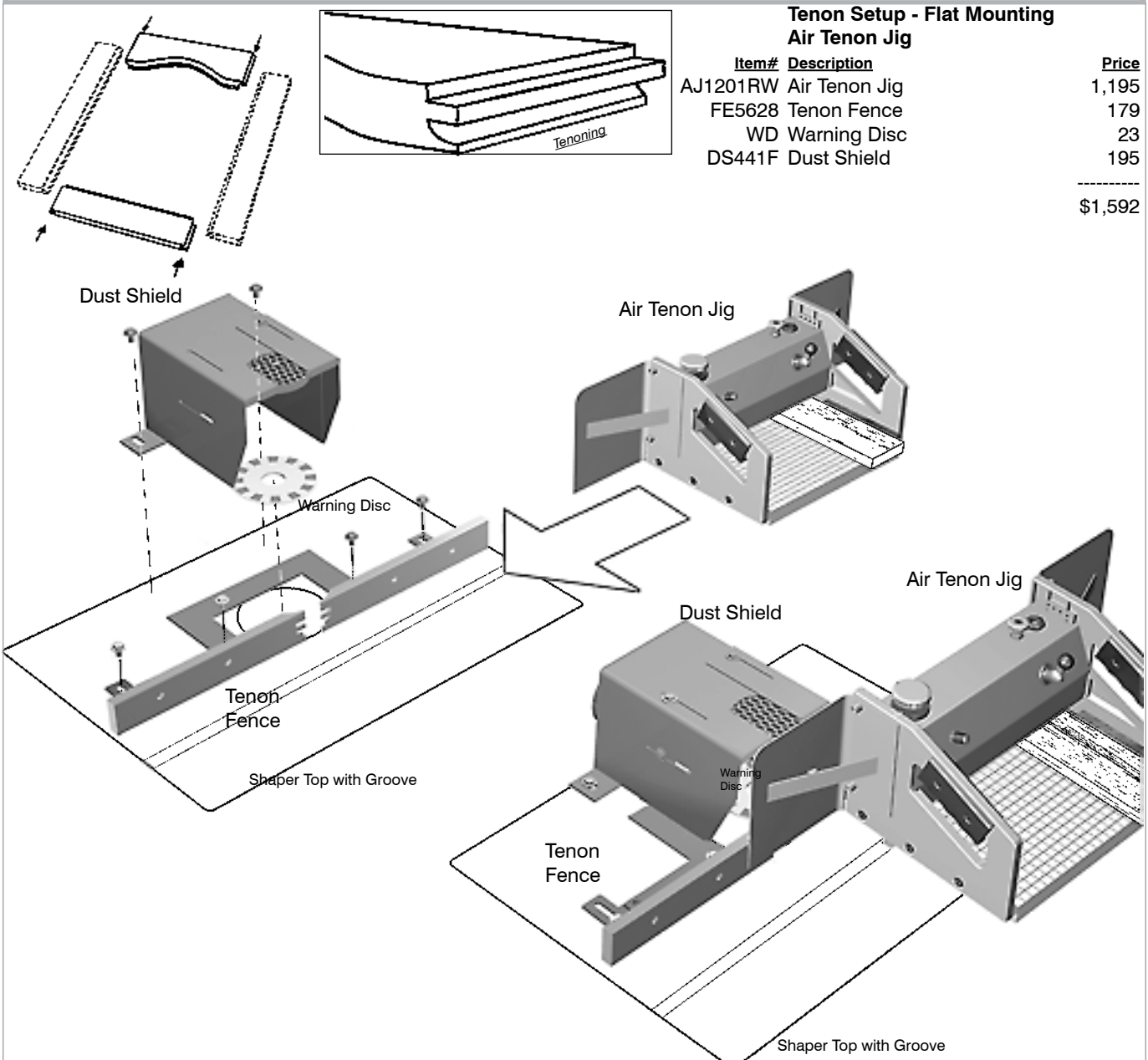
WEAVER

Tenon
Air Tenon Jig - Split Fence

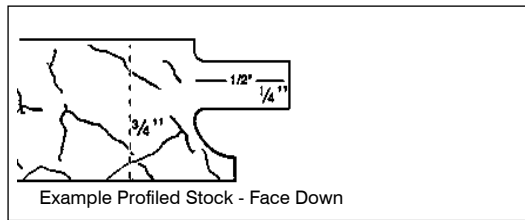
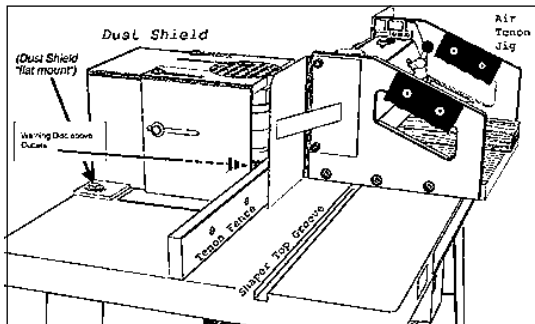
Shaper Essentials™
FLAT MOUNT

Tenon Setup - Flat Mounting
Air Tenon Jig

Item#	Description	Price
AJ1201RW	Air Tenon Jig	1,195
FE5628	Tenon Fence	179
WD	Warning Disc	23
DS441F	Dust Shield	195
		<hr/>
		\$1,592



Tenoning



MANUFACTURED IN U.S.A.

www.weaver-company.com

Phone 1-913-831-1800

CALL TOLL FREE 1-800-255-6214

Fax 1-913-831-2974

Copyright © 2012 all Rights Reserved

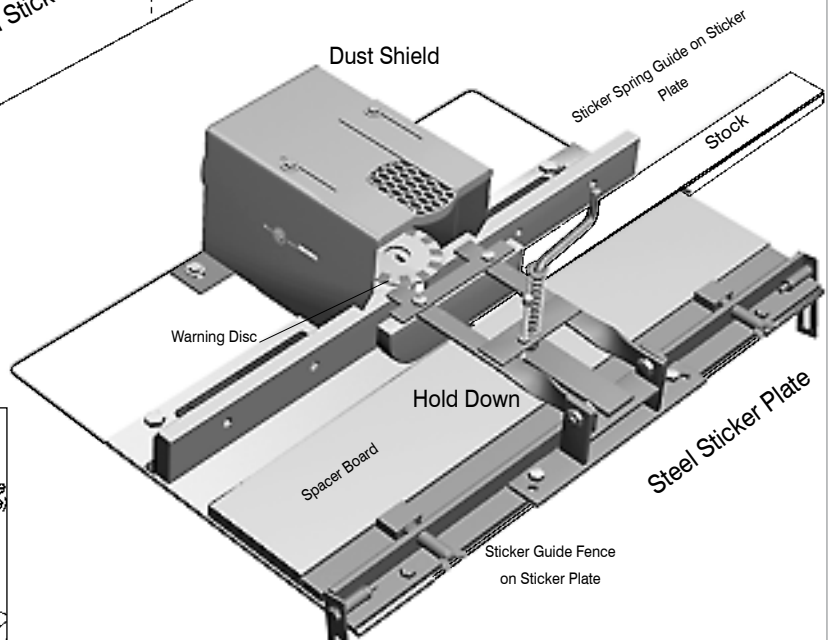
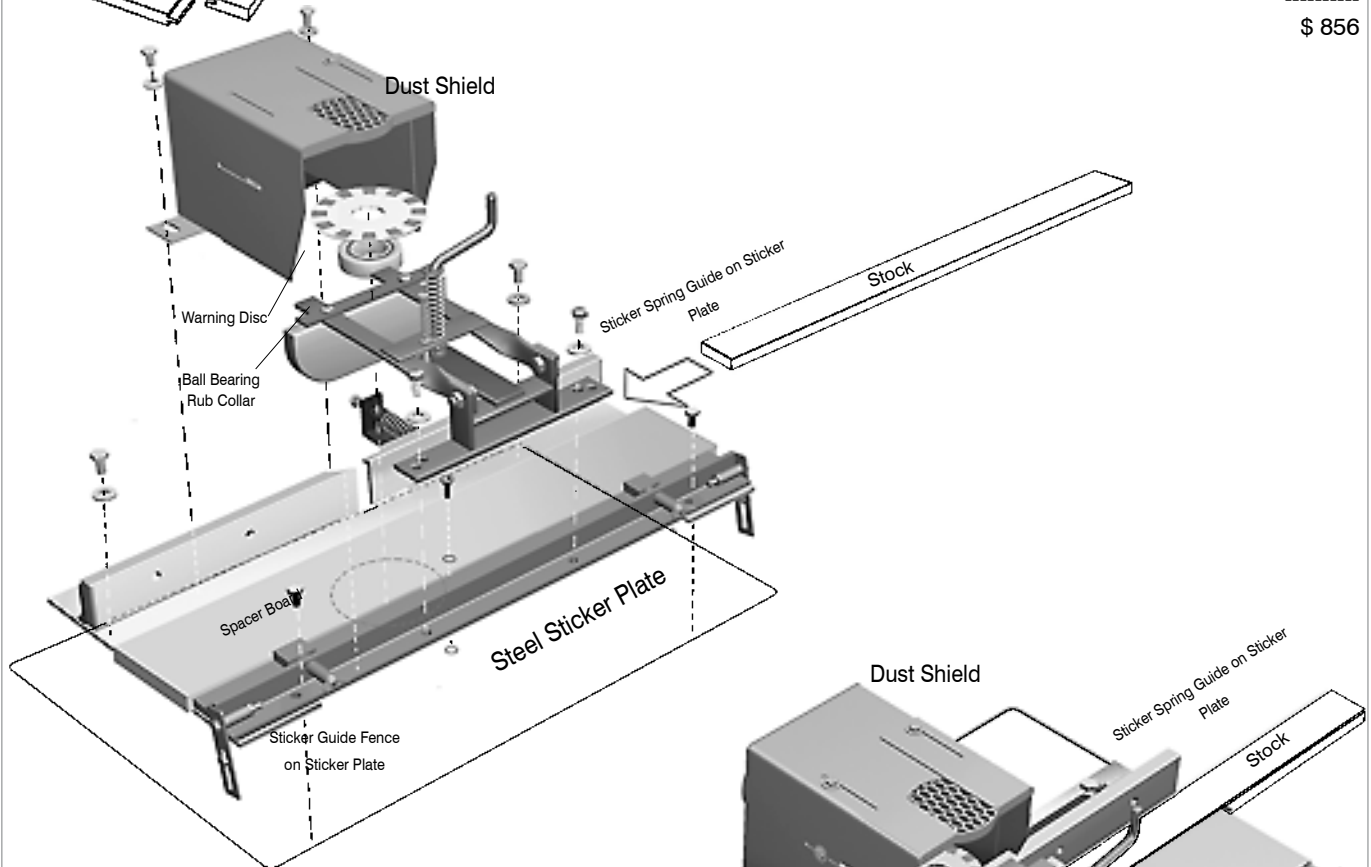
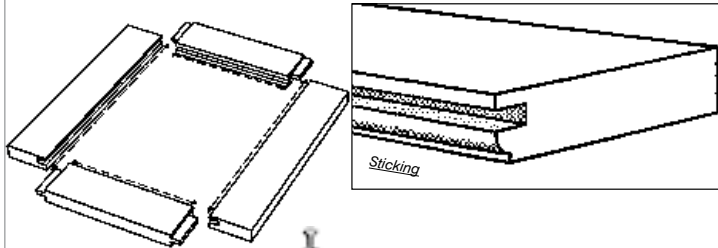
WEAVER COMPANY - 1108 SOUTH 37TH STREET - KANSAS CITY, KS 66106 USA

- 141 -

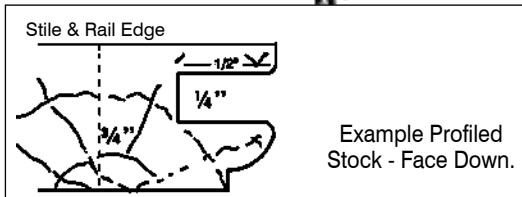
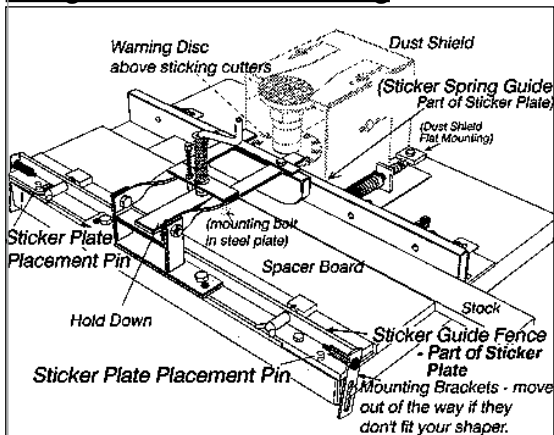
**Straight Sticking Setup - Flat Mounting -
Sticker Plate**

Item#	Description	Price
FE360H	Sticker Plate Setup w/Hold Down	579
BBRC	Ball Bearing Rub Collar	59
DS455F	Dust Shield Crown & Straight Stile & Rails	195
WD	Warning Disc	23

		\$ 856



Straight Stile and Rail Sticking



MANUFACTURED IN U.S.A.

Phone 1-913-831-1800

CALL TOLL FREE 1-800-255-6214

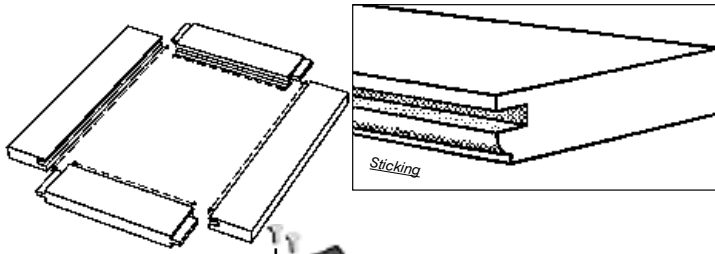
Fax 1-913-831-2974

WEAVER

Straight Stile & Rail Sticking

Sticker Plate & Power Feeder

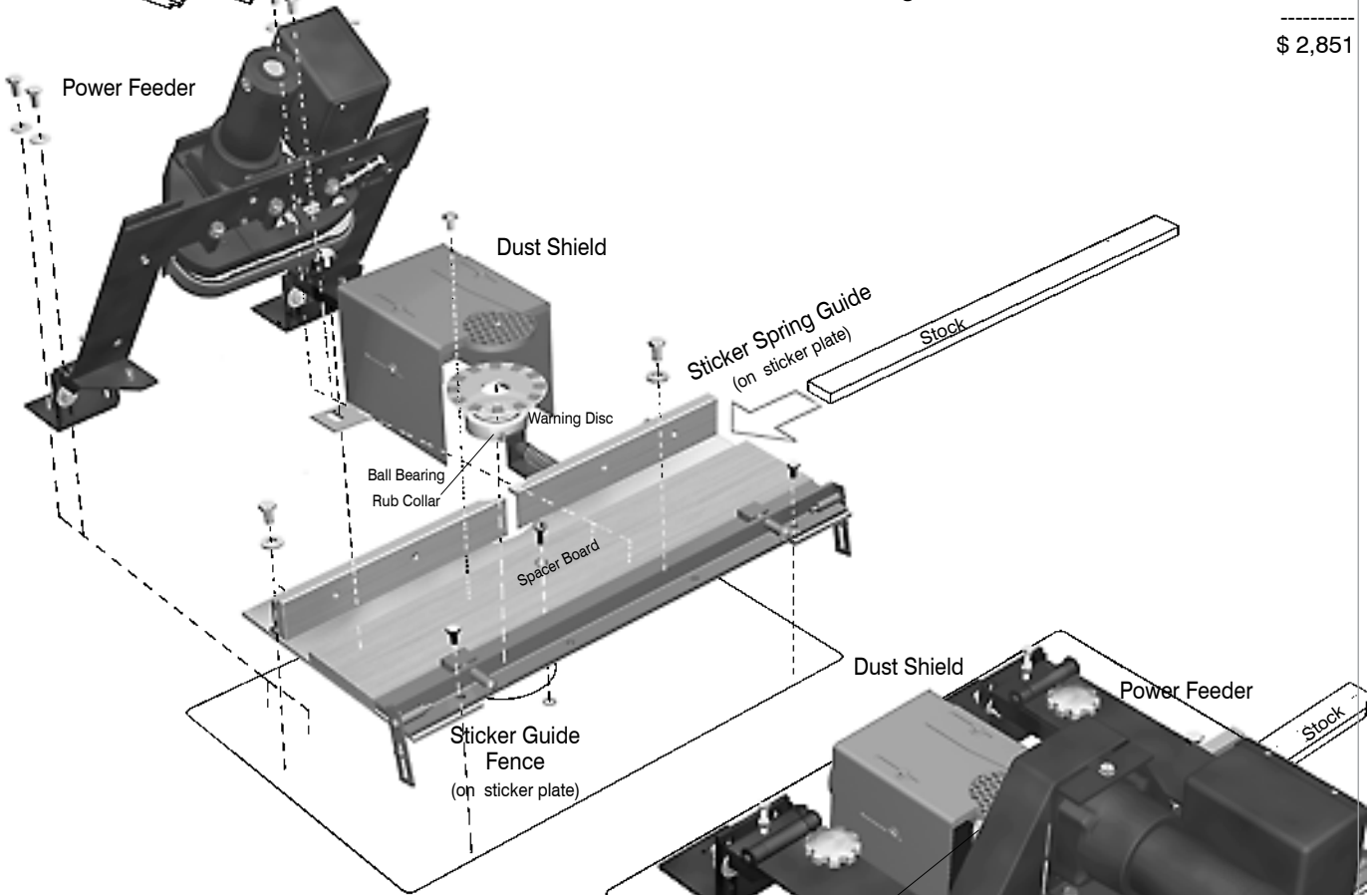
Shaper Essentials™
FLAT MOUNT



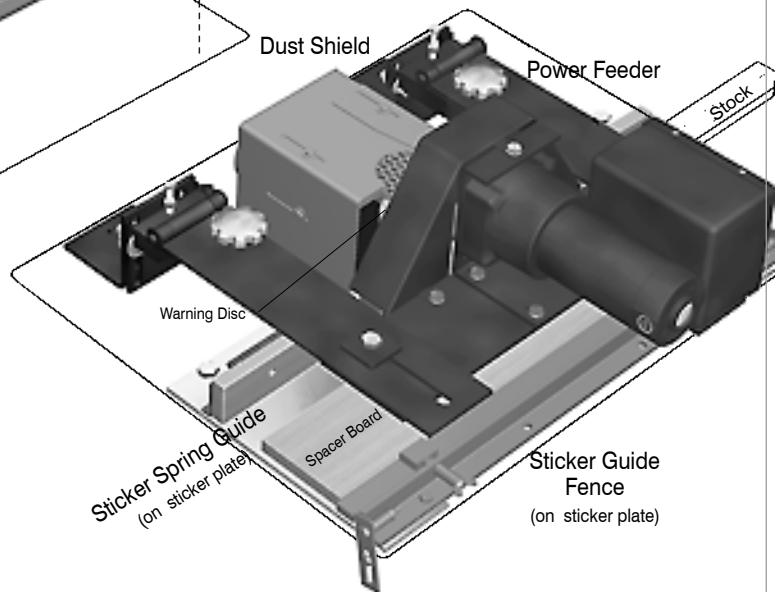
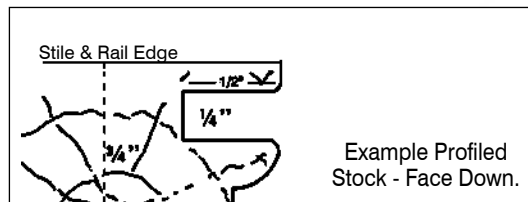
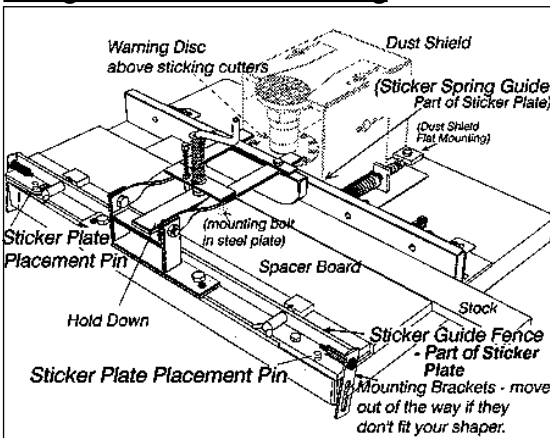
Straight Sticking Setup - Flat Mounting - Sticker Plate

Item#	Description	Price
FE360H	Sticker Plate Setup w/Hold Down	579
BBRC	Ball Bearing Rub Collar	59
PF721F	Weaver Variable Speed Power Feeder	1,995
DS455F	Dust Shield - Flat Mount	195
WD	Warning Disc	23

		\$ 2,851



Straight Stile and Rail Sticking



MANUFACTURED IN U.S.A.

Phone 1-913-831-1800

CALL TOLL FREE 1-800-255-6214

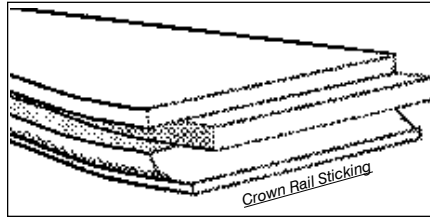
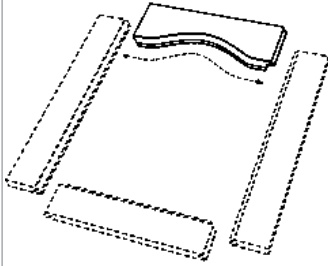
Fax 1-913-831-2974

Copyright © 2012 all Rights Reserved

WEAVER COMPANY - 1108 SOUTH 37TH STREET - KANSAS CITY, KS 66106 USA

- 143 -

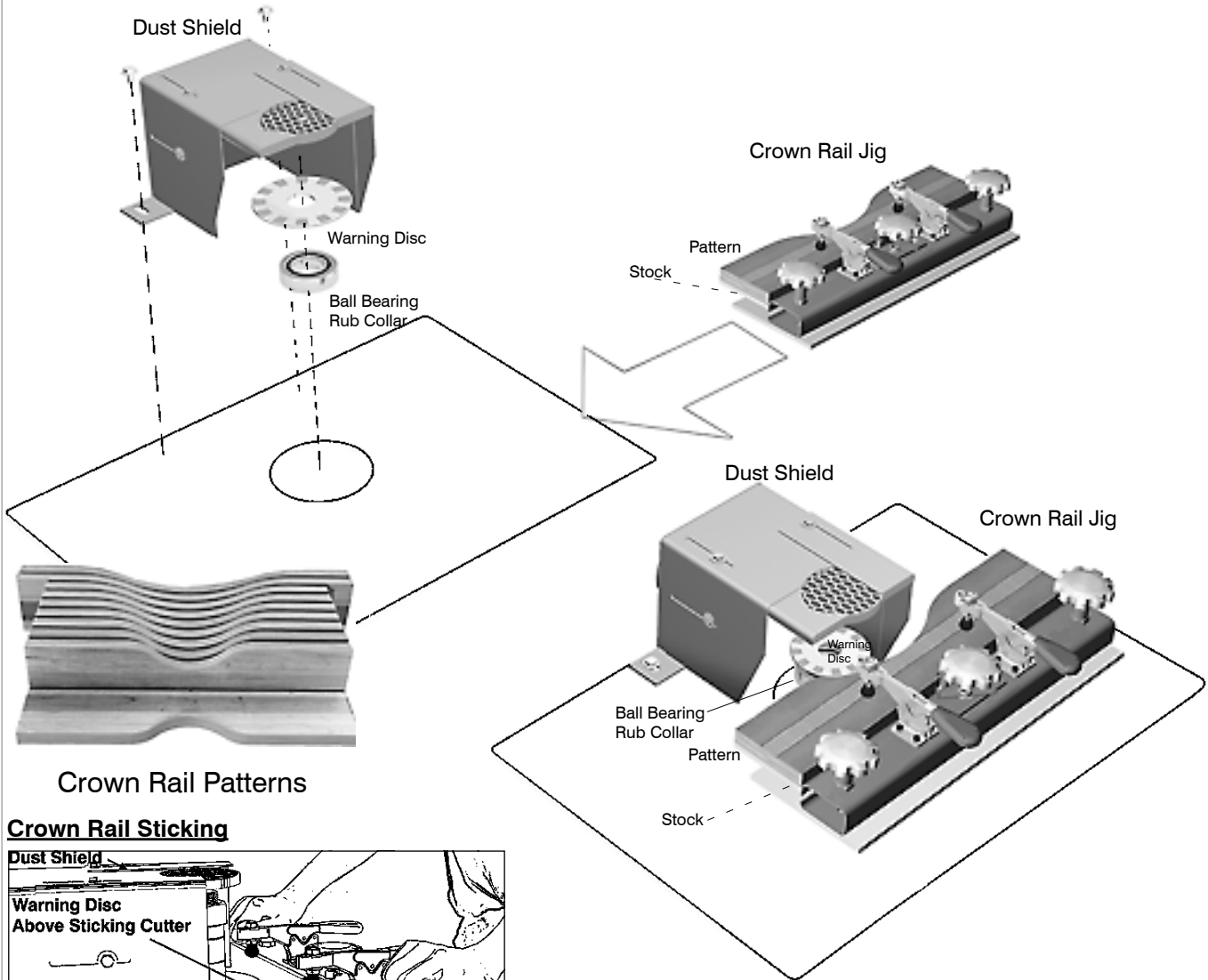
Notes



Crown Rail Sticking Setup - Flat Mount - Manual Jig

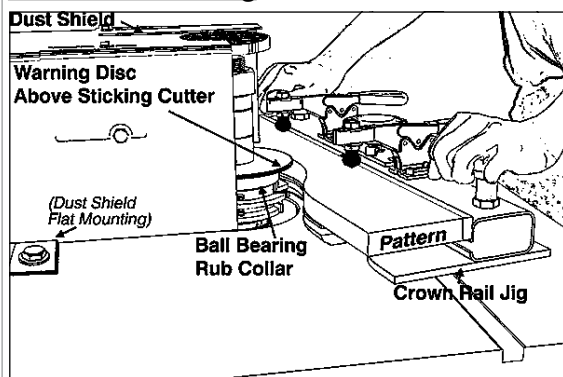
Item#	Description	Price
BBRC	Ball Bearing Rub Collar	59
PA427	Hardwood Patterns 1-1/2" Crown Rail	139
JM330	Crown Rail Jig	349
DS455F	Dust Shield for Curved & Straight Rail	195
WD	Warning Disc	23

		\$ 765

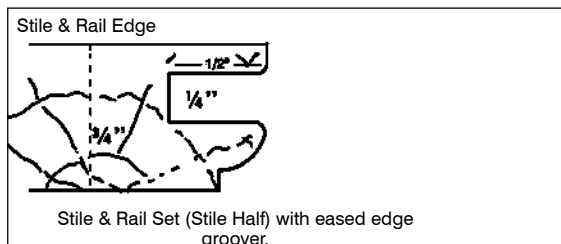


Crown Rail Patterns

Crown Rail Sticking



Top Rail needs to be rough band sawed (approx. 1/8" larger than finished rail) before crown rail sticking.



Stile & Rail Set (Stile Half) with eased edge groove.

MANUFACTURED IN U.S.A.

www.weaver-company.com

Phone 1-913-831-1800

CALL TOLL FREE 1-800-255-6214

Fax 1-913-831-2974

Copyright © 2012 all Rights Reserved

WEAVER COMPANY - 1108 SOUTH 37TH STREET - KANSAS CITY, KS 66106 USA

- 145 -

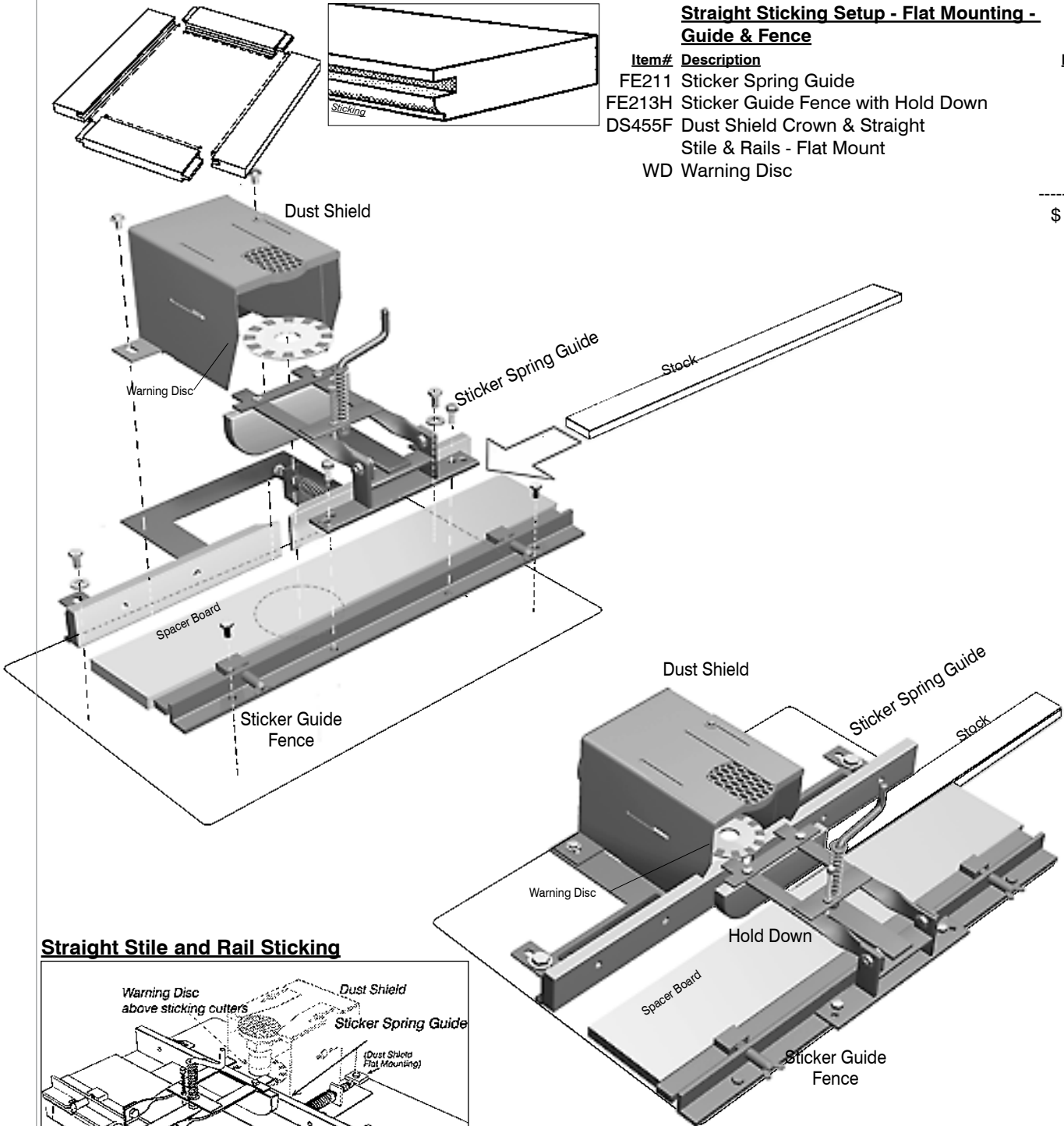
Straight Stile & Rail Sticking

Sticker Guide & Fence with Hold Down

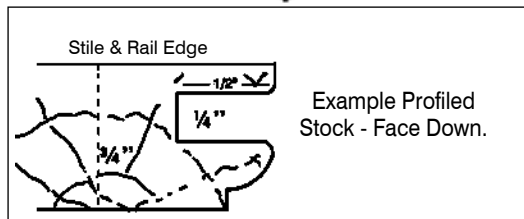
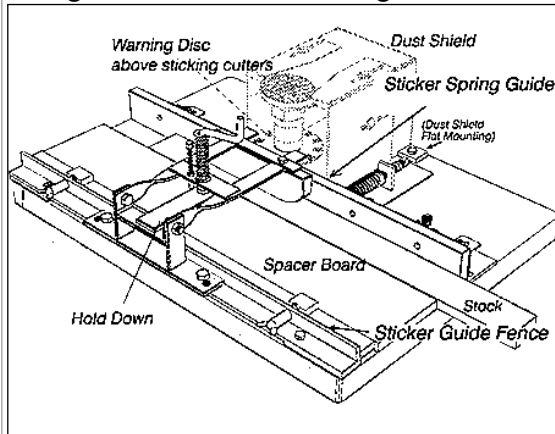
Straight Sticking Setup - Flat Mounting - Guide & Fence

Item#	Description	Price
FE211	Sticker Spring Guide	219
FE213H	Sticker Guide Fence with Hold Down	239
DS455F	Dust Shield Crown & Straight Stile & Rails - Flat Mount	195
WD	Warning Disc	23

		\$ 676



Straight Stile and Rail Sticking



MANUFACTURED IN U.S.A.

Phone 1-913-831-1800

CALL TOLL FREE 1-800-255-6214

Fax 1-913-831-2974

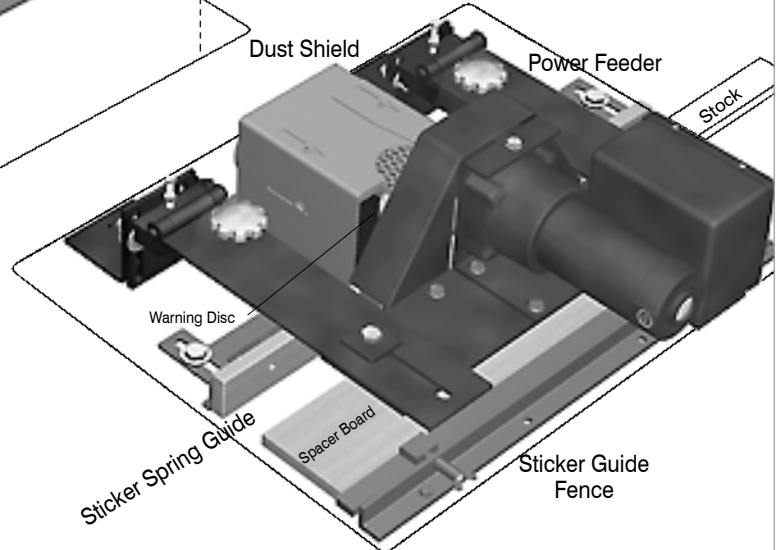
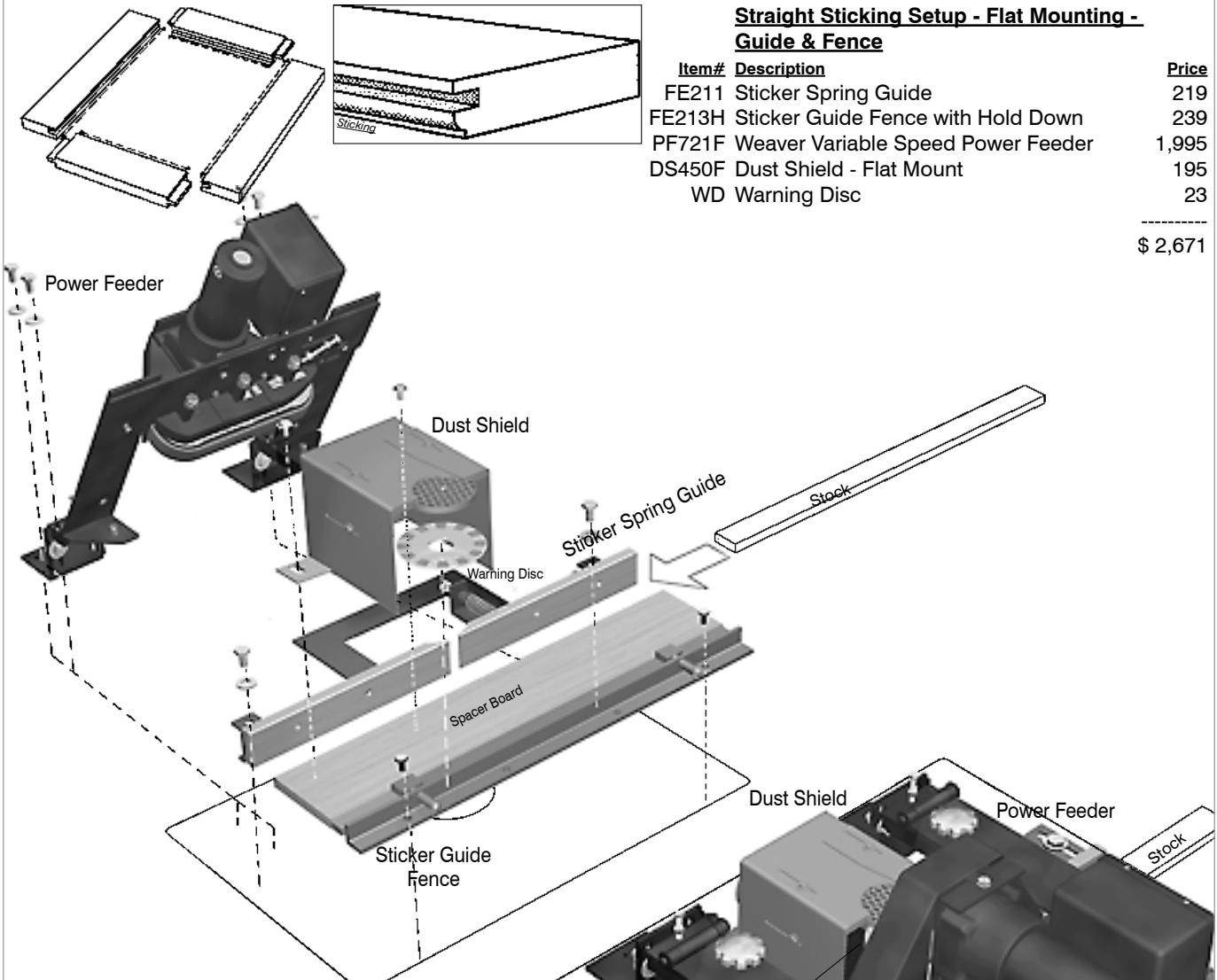
WEAVER

Straight Stile & Rail Sticking
Sticker Guide & Fence with Power Feeder

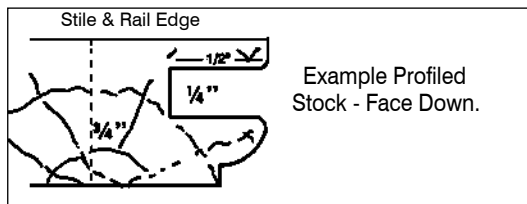
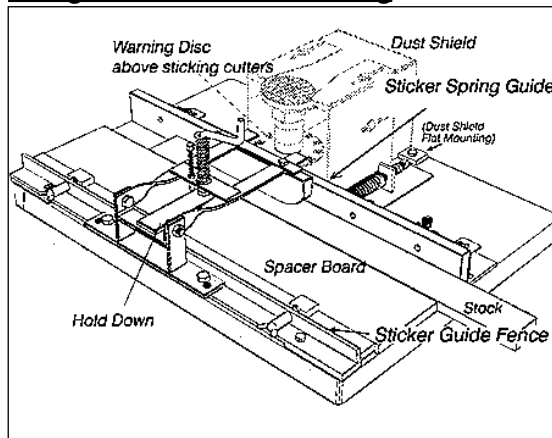
Shaper Essentials™
FLAT MOUNT

Straight Sticking Setup - Flat Mounting - Guide & Fence

Item#	Description	Price
FE211	Sticker Spring Guide	219
FE213H	Sticker Guide Fence with Hold Down	239
PF721F	Weaver Variable Speed Power Feeder	1,995
DS450F	Dust Shield - Flat Mount	195
WD	Warning Disc	23
		<hr/>
		\$ 2,671



Straight Stile and Rail Sticking



MANUFACTURED IN U.S.A.

www.weaver-company.com

Phone 1-913-831-1800

CALL TOLL FREE 1-800-255-6214

Fax 1-913-831-2974

Copyright © 2012 all Rights Reserved

WEAVER COMPANY - 1108 SOUTH 37TH STREET - KANSAS CITY, KS 66106 USA

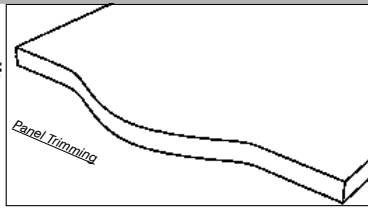
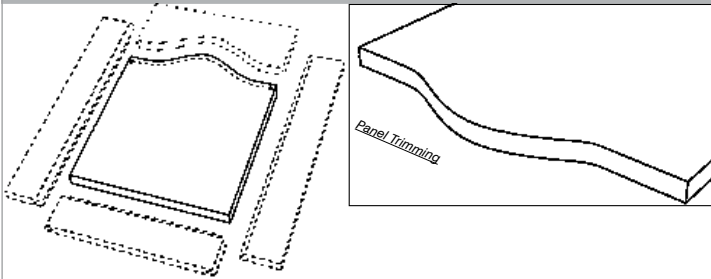
- 147 -

Notes

WEAVER

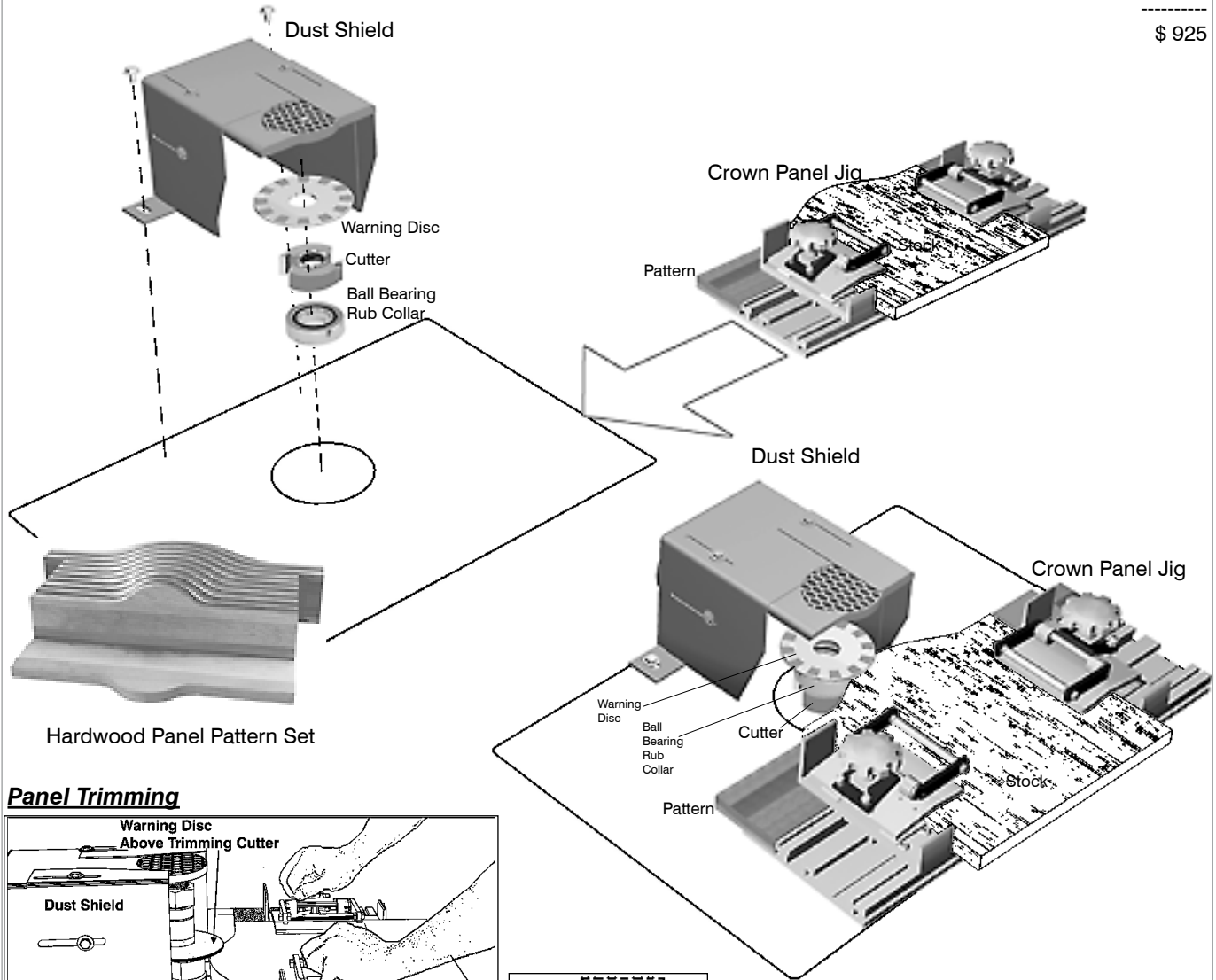
Crown Panel Trimming Manual Jig

Shaper Essentials™
FLAT MOUNT

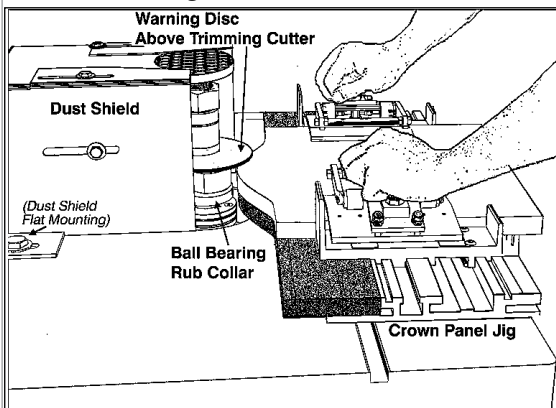


Panel Trimming Setup - Flat Mounting - Manual Jig

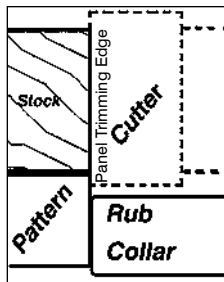
Item#	Description	Price
JM310	Manual Crown Panel Jig	379
PA417	Hardwood Patterns - 1-1/2" Crown Panel	139
FRE8389	Panel Trimming Cutter 2W Carbide Square Edge	130
BB	Ball Bearing Rub Collar	59
DS472F	Dust Shield for Panel Trimming	195
WD	Warning Disc	23
<hr/>		
		\$ 925



Panel Trimming



Panel Stock will need to be rough band sawed (approx. 1/8" larger than finished panel) before crown panel trimming.



MANUFACTURED IN U.S.A.

www.weaver-company.com

Phone 1-913-831-1800

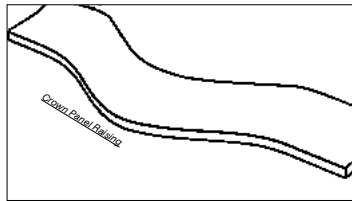
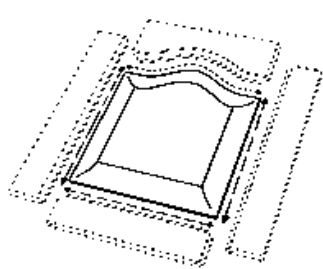
CALL TOLL FREE 1-800-255-6214

Fax 1-913-831-2974

Copyright © 2012 all Rights Reserved

WEAVER COMPANY - 1108 SOUTH 37TH STREET - KANSAS CITY, KS 66106 USA

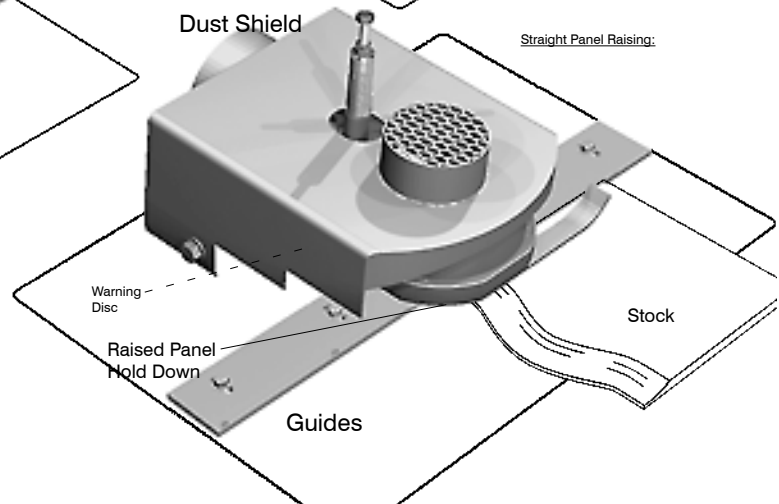
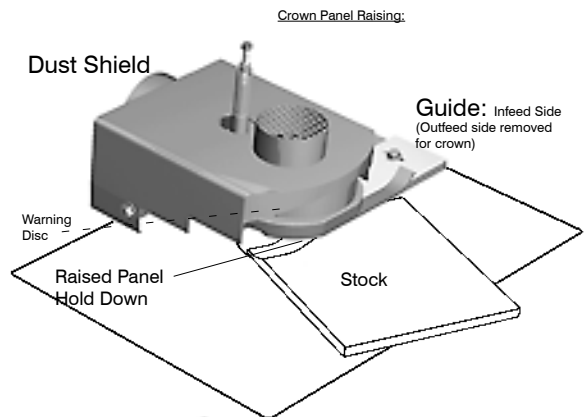
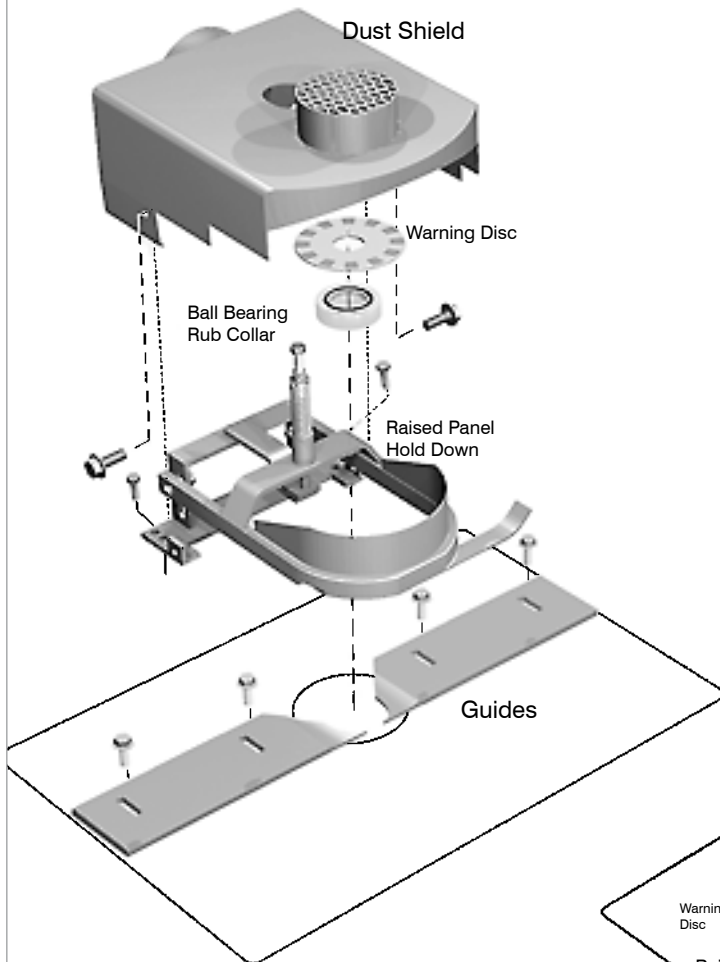
- 149 -



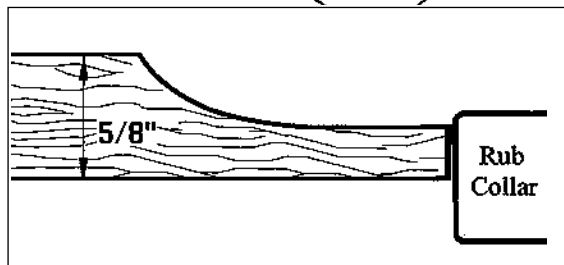
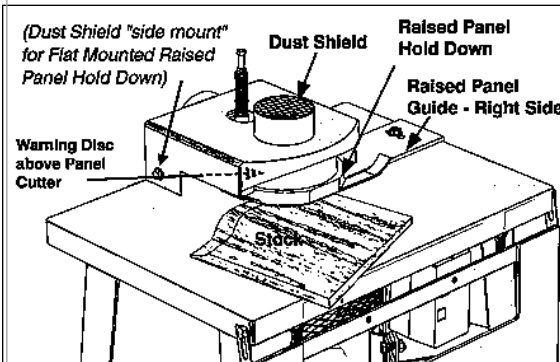
**Panel Raising Setup -
Flat Mounting - Single Raise with Hold Down**

Item#	Description	Price
RPA0128	Raised Panel Guides	149
HD4300FS	Raised Panel Hold Down	329
DS497S	Dust Shield for Raised Panel	299
BBRC	Ball Bearing Rub Collar	59
WD	Warning Disc	27

		\$ 863



Panel Raising - Crown Setup



MANUFACTURED IN U.S.A.

Phone 1-913-831-1800

CALL TOLL FREE 1-800-255-6214

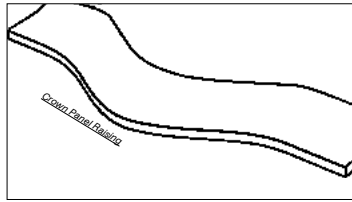
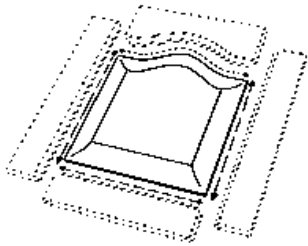
Fax 1-913-831-2974

WEAVER

Panel Raising

Shaper Essentials™
FLAT MOUNT

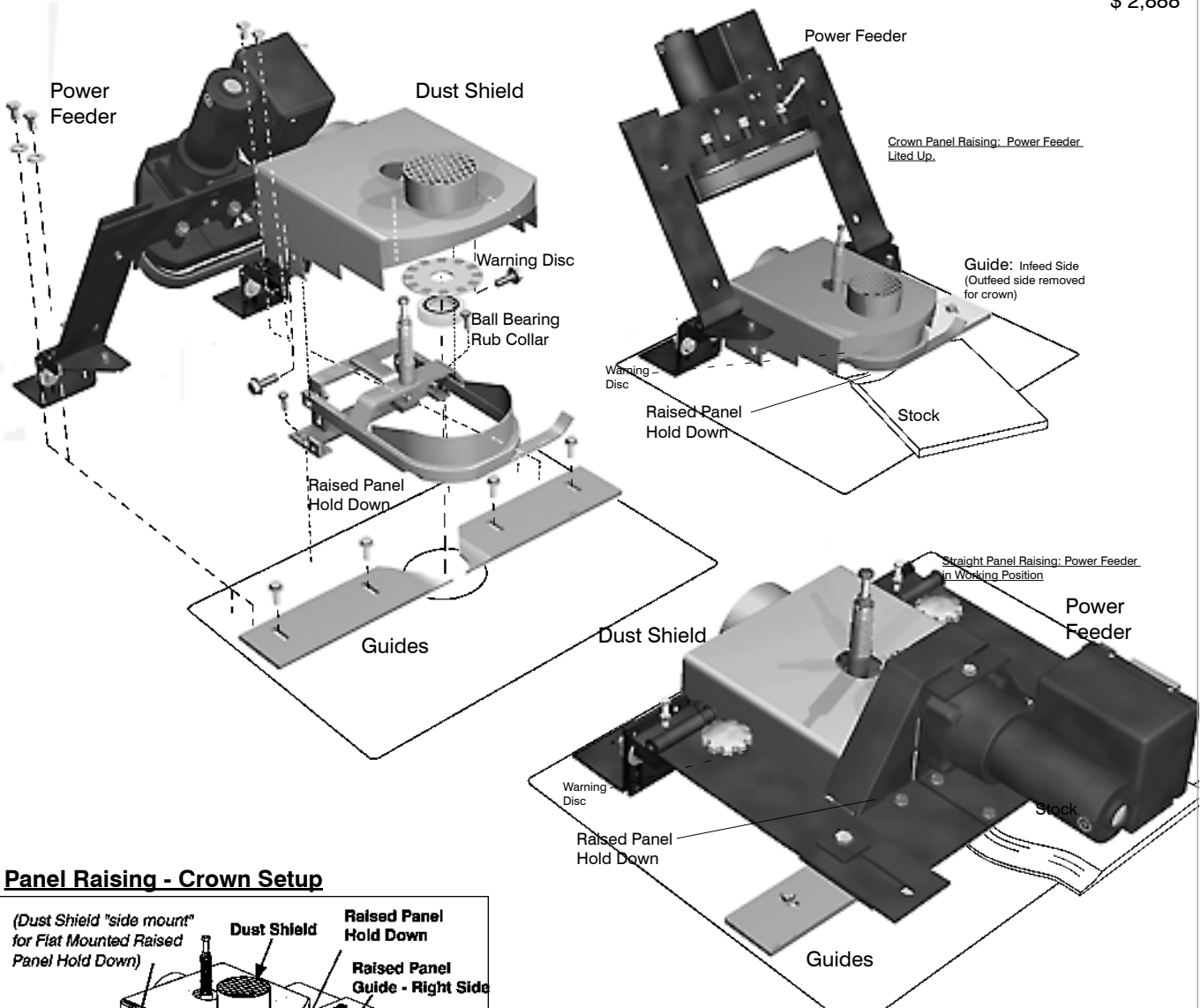
Single Raise with Hold Down & Power Feeder



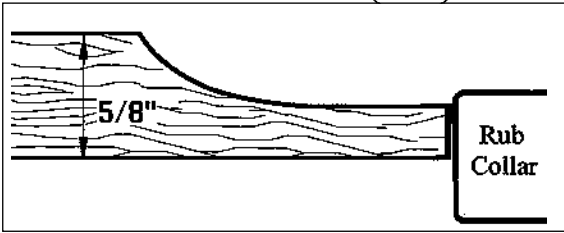
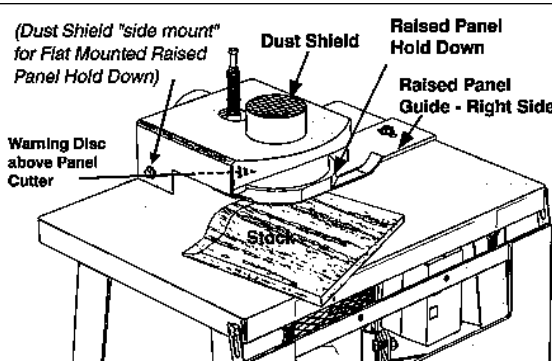
Panel Raising Setup - with Power Feeder Flat Mounting - Single Raise with Hold Down

Item#	Description	Price
PF721F	Weaver Variable Speed Power Feeder	1,995
RPA0128	Raised Panel Guides	179
HD4300FS	Raised Panel Hold Down	329
DS497S	Dust Shield for Raised Panel	299
BBRC	Ball Bearing Rub Collar	59
WD	Warning Disc	27

		\$ 2,888



Panel Raising - Crown Setup



MANUFACTURED IN U.S.A.

Phone 1-913-831-1800

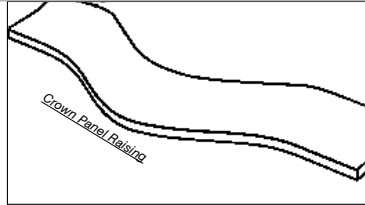
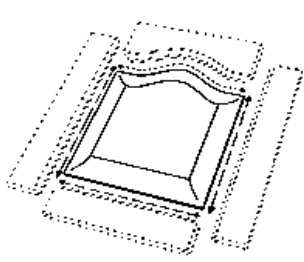
CALL TOLL FREE 1-800-255-6214

Fax 1-913-831-2974

Copyright © 2012 all Rights Reserved

WEAVER COMPANY - 1108 SOUTH 37TH STREET - KANSAS CITY, KS 66106 USA

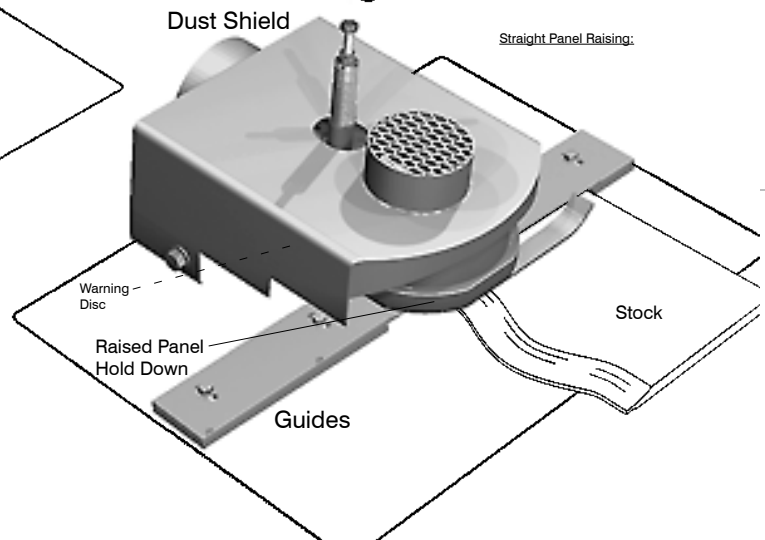
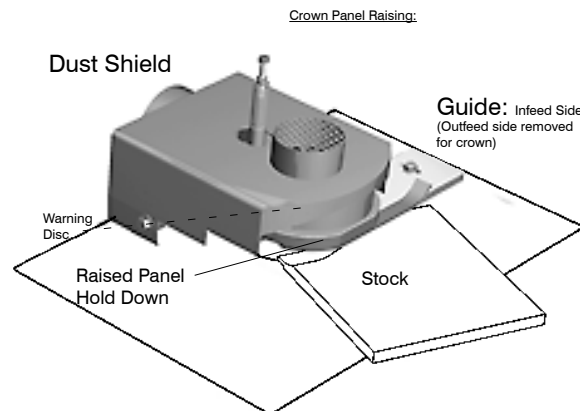
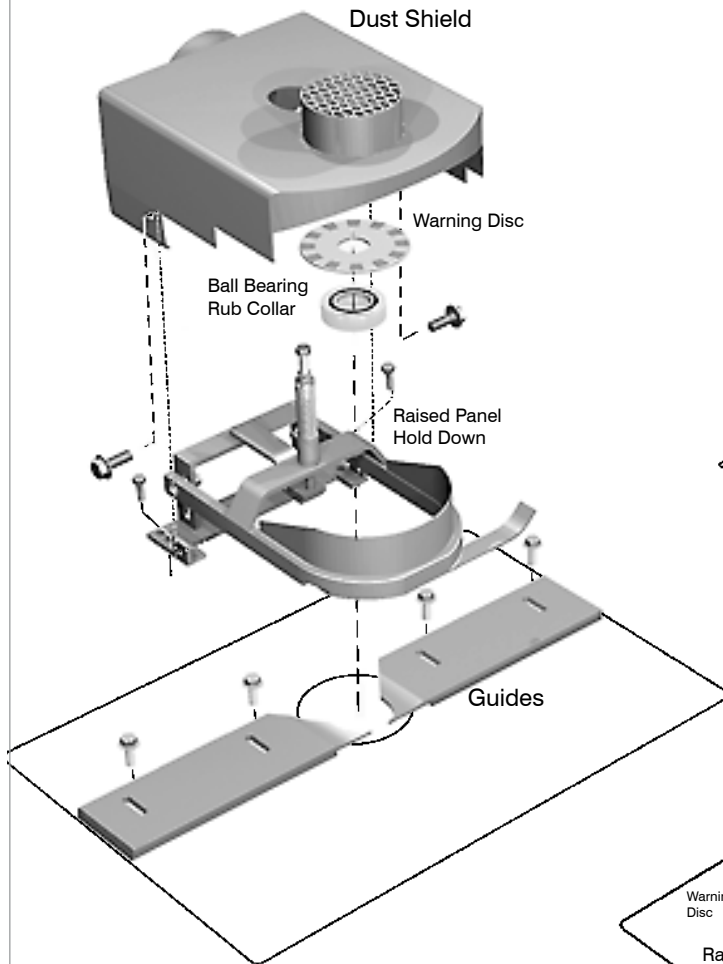
- 151 -



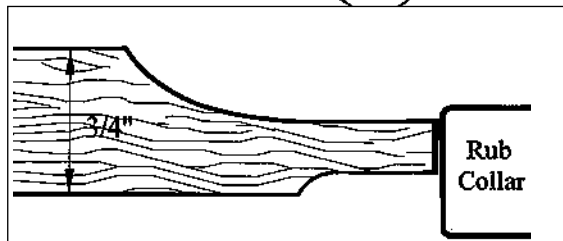
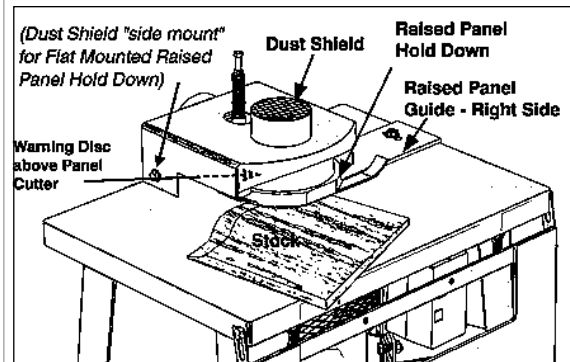
**Panel Raising Setup -
Flat Mounting - Partial Offset with Hold Down**

Item#	Description	Price
RPA0228	Offset Raised Panel Guides	149
HD4300FS	Raised Panel Hold Down	329
DS497S	Dust Shield for Raised Panel	299
BBRC	Ball Bearing Rub Collar	59
WD	Warning Disc	27

		\$ 863



Panel Raising - Crown Setup



MANUFACTURED IN U.S.A.

Phone 1-913-831-1800

CALL TOLL FREE 1-800-255-6214

Fax 1-913-831-2974

- 152 -

WEAVER COMPANY - 1108 SOUTH 37TH STREET - KANSAS CITY, KS 66106 USA

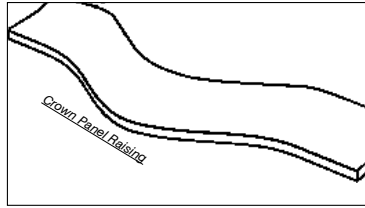
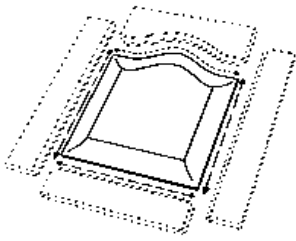
Copyright © 2012 all Rights Reserved

WEAVER

Panel Raising

Shaper Essentials™
FLAT MOUNT

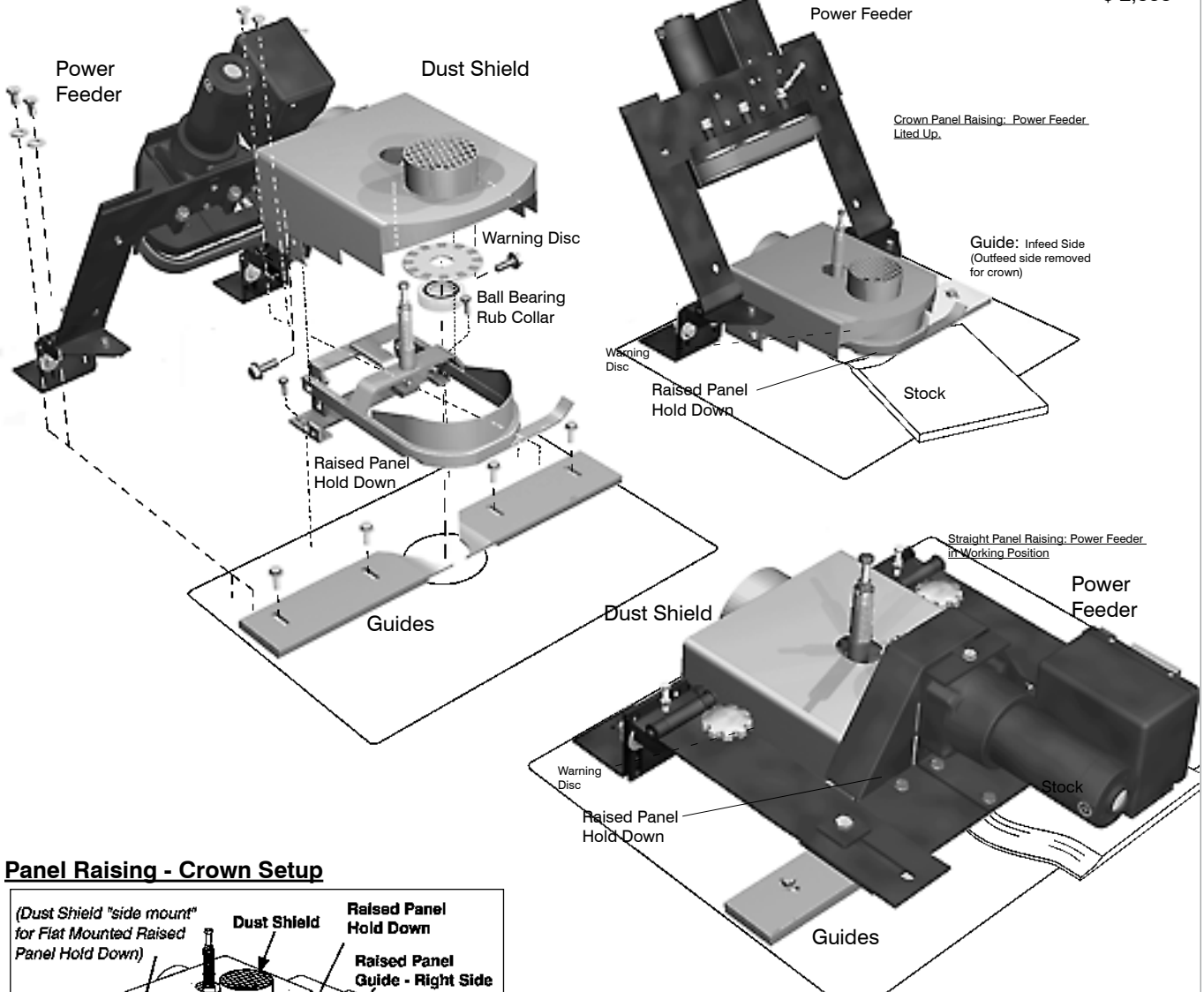
Partial Offset with Hold Down & Power Feeder



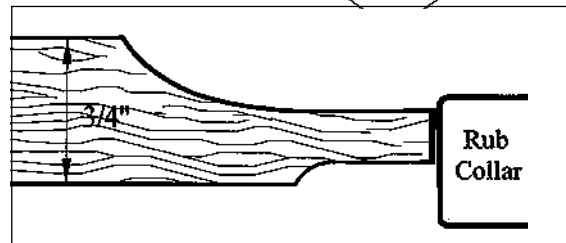
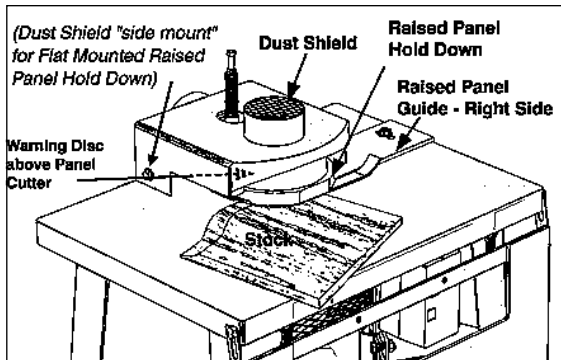
Panel Raising Setup - with Power Feeder Flat Mounting - Partial Offset with Hold Down

Item#	Description	Price
PF721F	Weaver Variable Speed Power Feeder	1,995
RPA0228	Offset Raised Panel Guides	149
HD4300FS	Raised Panel Hold Down	329
DS497S	Dust Shield for Raised Panel	299
BBRC	Ball Bearing Rub Collar	59
WD	Warning Disc	27

		\$ 2,858



Panel Raising - Crown Setup



MANUFACTURED IN U.S.A.

www.weaver-company.com

Phone 1-913-831-1800

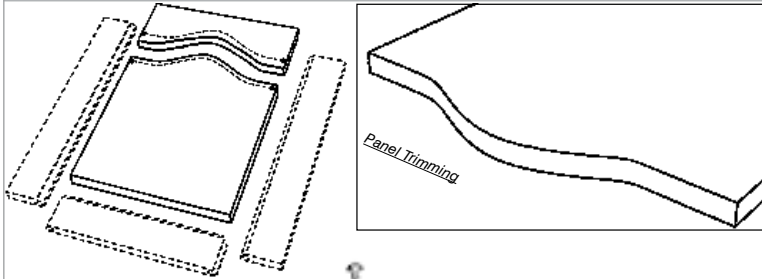
CALL TOLL FREE 1-800-255-6214

Fax 1-913-831-2974

Copyright © 2012 all Rights Reserved

WEAVER COMPANY - 1108 SOUTH 37TH STREET - KANSAS CITY, KS 66106 USA

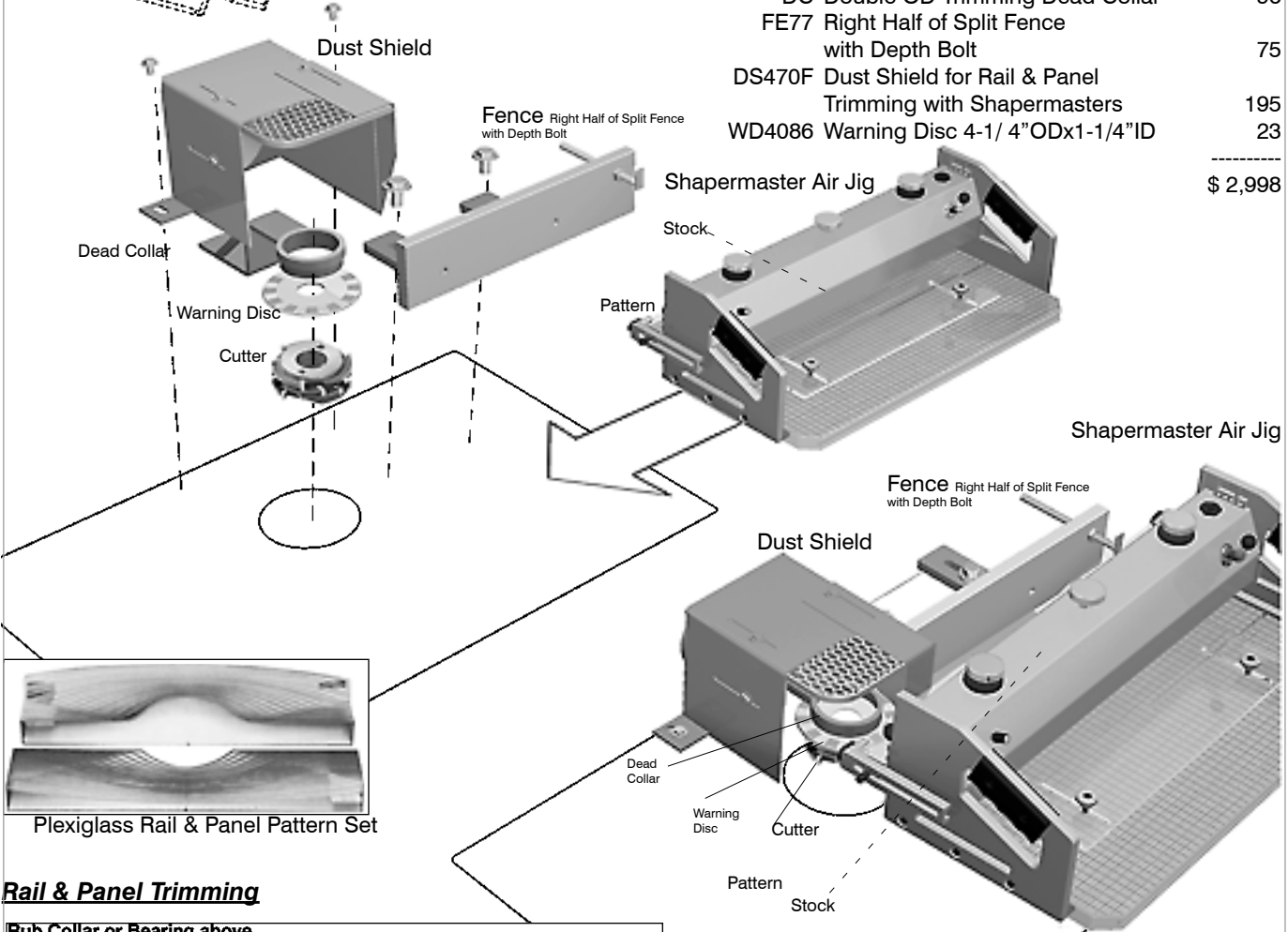
- 153 -



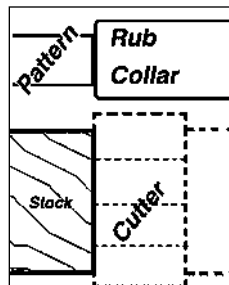
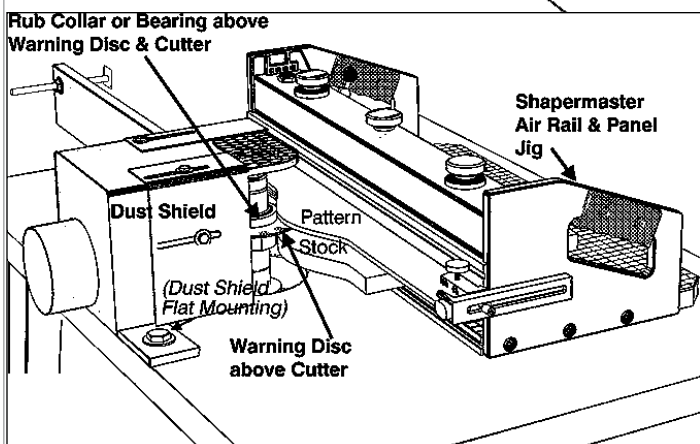
Rail & Panel Trimming Setup - Flat Mounting - Air Jig

Item#	Description	Price
AJ2402	Shapermaster 24" x 12"	1,995
PA2417	Plexiglass Patterns - 1-1/2" Crown Rail & Panel	249
C9936V	Trimming Cutter (stacked square edge)	365
DC	Double OD Trimming Dead Collar	96
FE77	Right Half of Split Fence with Depth Bolt	75
DS470F	Dust Shield for Rail & Panel Trimming with Shapermasters	195
WD4086	Warning Disc 4-1/4"ODx1-1/4"ID	23

		\$ 2,998



Rail & Panel Trimming



MANUFACTURED IN U.S.A.

Phone 1-913-831-1800

CALL TOLL FREE 1-800-255-6214

Fax 1-913-831-2974

- 154 -

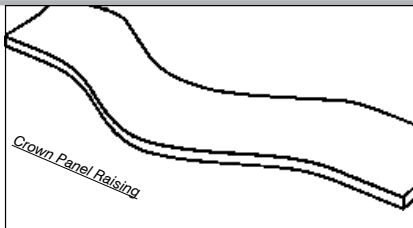
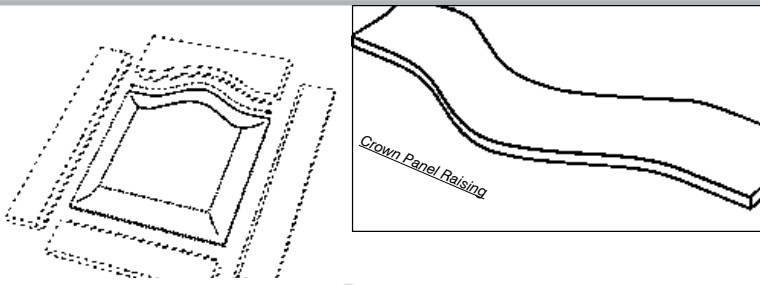
WEAVER COMPANY - 1108 SOUTH 37TH STREET - KANSAS CITY, KS 66106 USA

Copyright © 2012 all Rights Reserved

WEAVER

Crown Panel Raising Shapermaster™ Air Jig - Dead Collar

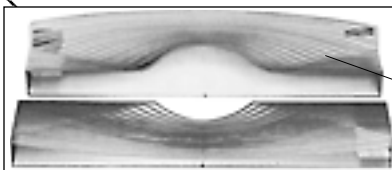
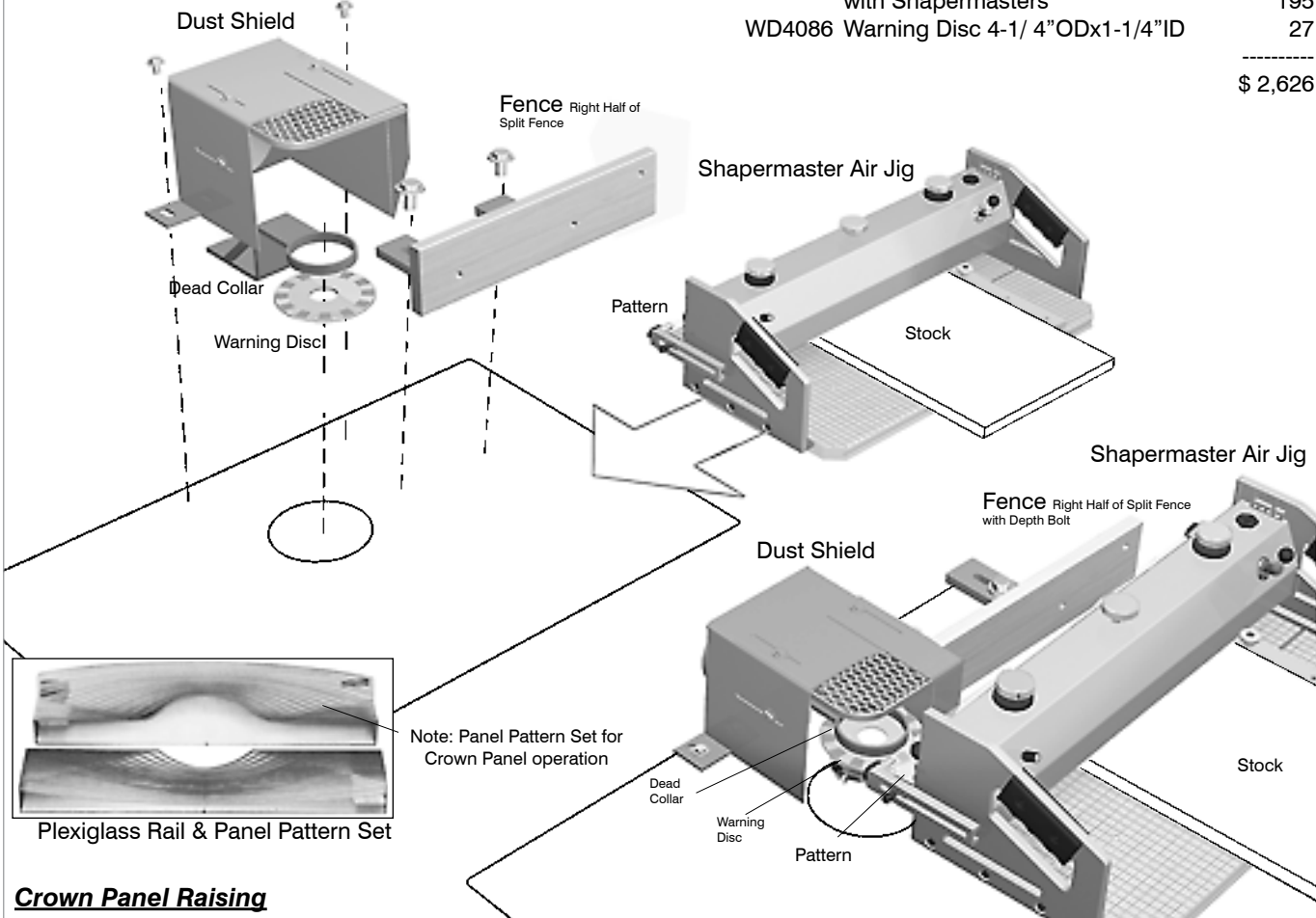
Shaper Essentials™
FLAT MOUNT



Crown Panel Raising Setup - Flat Mounting - Air Jig

Item#	Description	Price
AJ2402	Shapermaster 24" x 12"	1,995
PA2417	Plexiglass Patterns - 1-1/2" Crown Rail & Panel	249
DC	Dead Collar	85
FE78	Right Half of Split Fence	75
DS470F	Dust Shield for Rail & Panel with Shapermasters	195
WD4086	Warning Disc 4-1/4"ODx1-1/4"ID	27

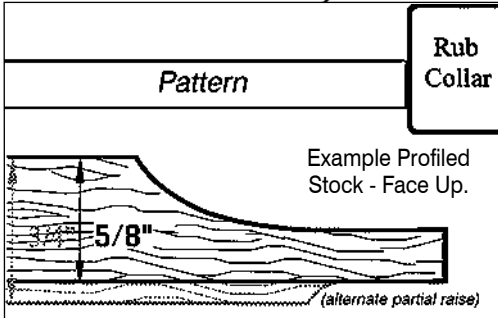
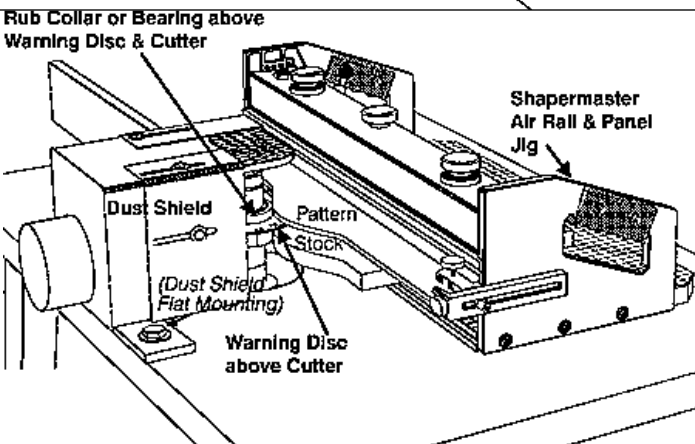
		\$ 2,626



Note: Panel Pattern Set for
Crown Panel operation

Plexiglass Rail & Panel Pattern Set

Crown Panel Raising



MANUFACTURED IN U.S.A.

Phone 1-913-831-1800

CALL TOLL FREE 1-800-255-6214

Fax 1-913-831-2974

Copyright © 2012 all Rights Reserved

WEAVER COMPANY - 1108 SOUTH 37TH STREET - KANSAS CITY, KS 66106 USA

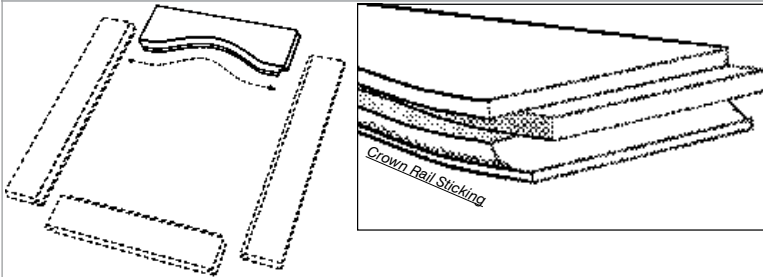
- 155 -

Notes

WEAVER

Crown Rail Sticking Shapermaster™ Air Jig - Dead Collar

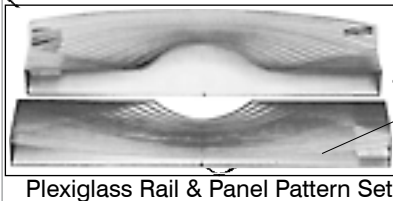
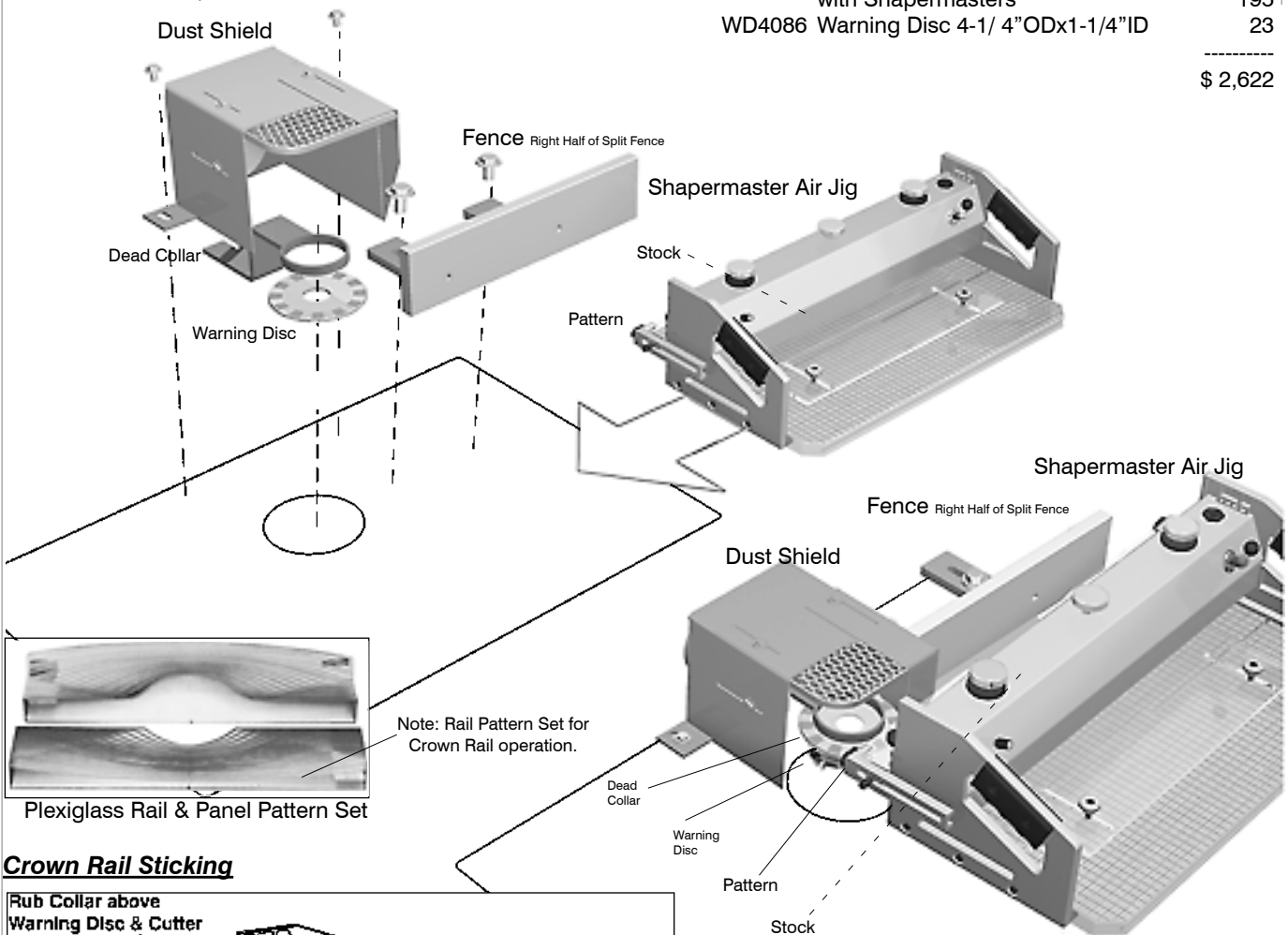
Shaper Essentials™
FLAT MOUNT



Crown Rail Sticking Setup - Flat Mounting - Air Jig

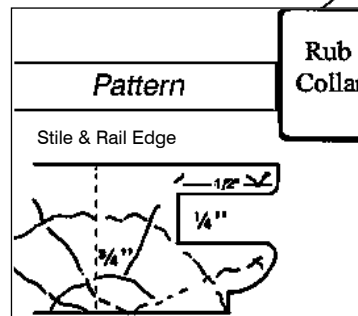
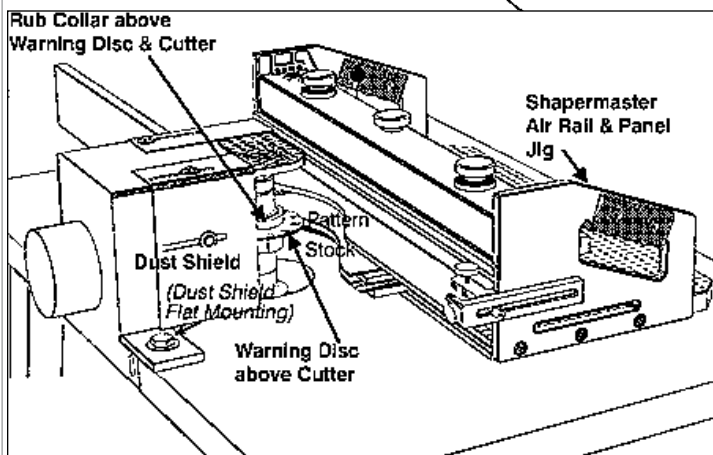
Item#	Description	Price
AJ2402	Shapermaster 24" x 12"	1,995
PA2417	Plexiglass Patterns - 1-1/2" Crown Rail & Panel	249
DC	Dead Collar	85
FE78	Right Half of Split Fence	75
DS470F	Dust Shield for Rail & Panel with Shapermasters	195
WD4086	Warning Disc 4-1/4" OD x 1-1/4" ID	23

		\$ 2,622



Note: Rail Pattern Set for
Crown Rail operation.

Crown Rail Sticking



Example Profiled
Stock - Face Down.

MANUFACTURED IN U.S.A.

www.weaver-company.com

Phone 1-913-831-1800

CALL TOLL FREE 1-800-255-6214

Fax 1-913-831-2974

Copyright © 2012 all Rights Reserved

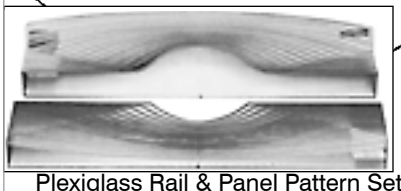
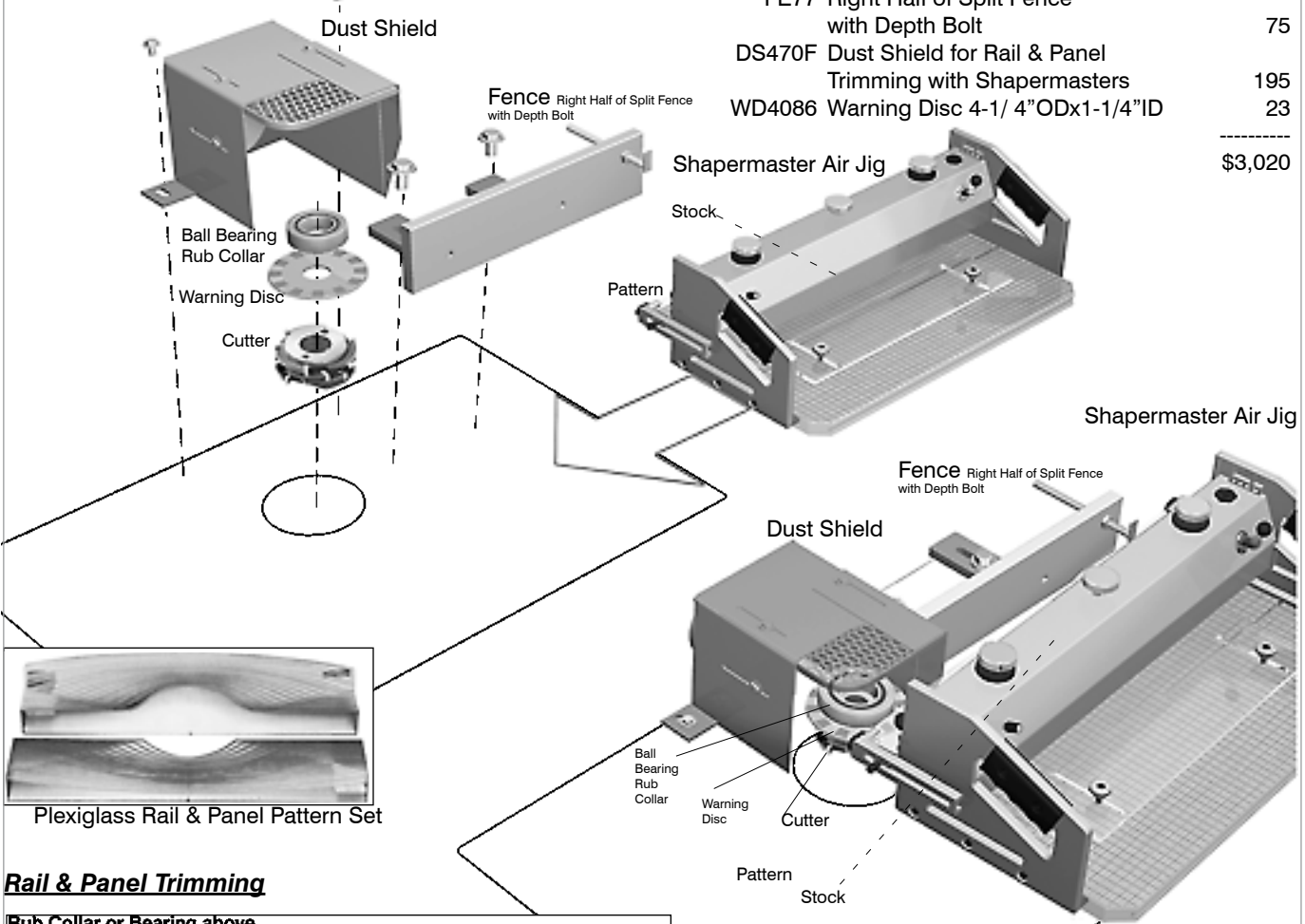
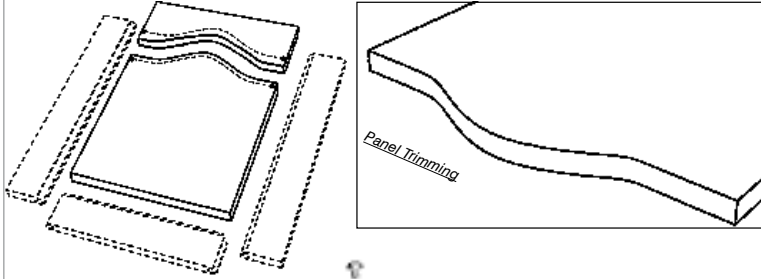
WEAVER COMPANY - 1108 SOUTH 37TH STREET - KANSAS CITY, KS 66106 USA

- 157 -

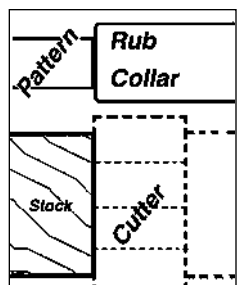
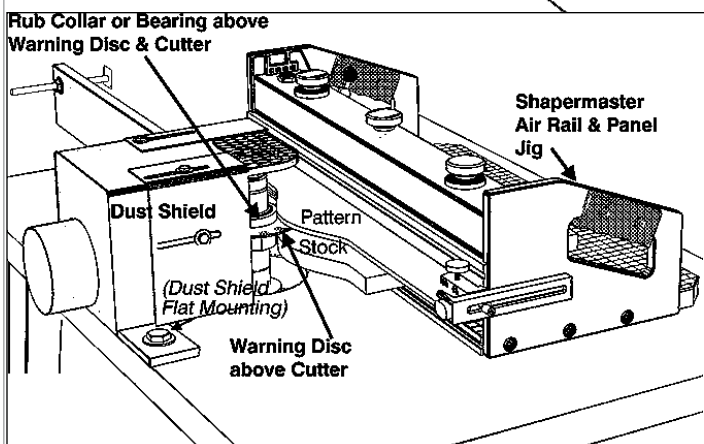
Shapermaster™ Air Jig - Bearing

**Rail & Panel Trimming Setup -
Flat Mounting - Air Jig**

Item#	Description	Price
AJ2402	Shapermaster 24" x 12"	1,995
PA2417	Plexiglass Patterns - 1-1/2" Crown Rail & Panel	249
C9936V	Trimming Cutter (stacked square edge)	365
BB3146	Ball Bearing Rub Collar	59
BBRC	Ball Bearing Rub Collar	59
FE77	Right Half of Split Fence with Depth Bolt	75
DS470F	Dust Shield for Rail & Panel Trimming with Shapermasters	195
WD4086	Warning Disc 4-1/4"ODx1-1/4"ID	23
	Shapermaster Air Jig	\$3,020



Rail & Panel Trimming

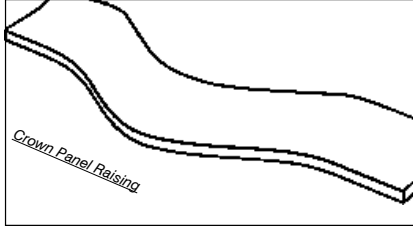
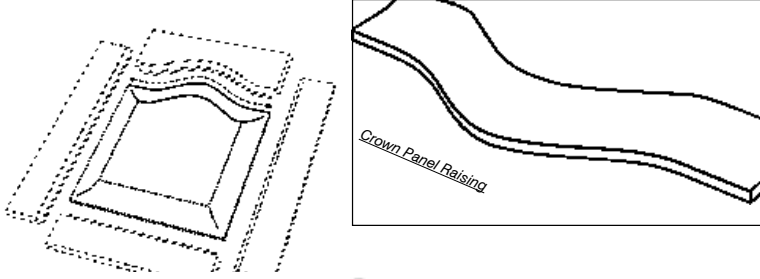


MANUFACTURED IN U.S.A.

WEAVER

Crown Panel Raising Shapermaster™ Air Jig - Bearing

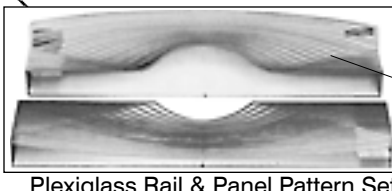
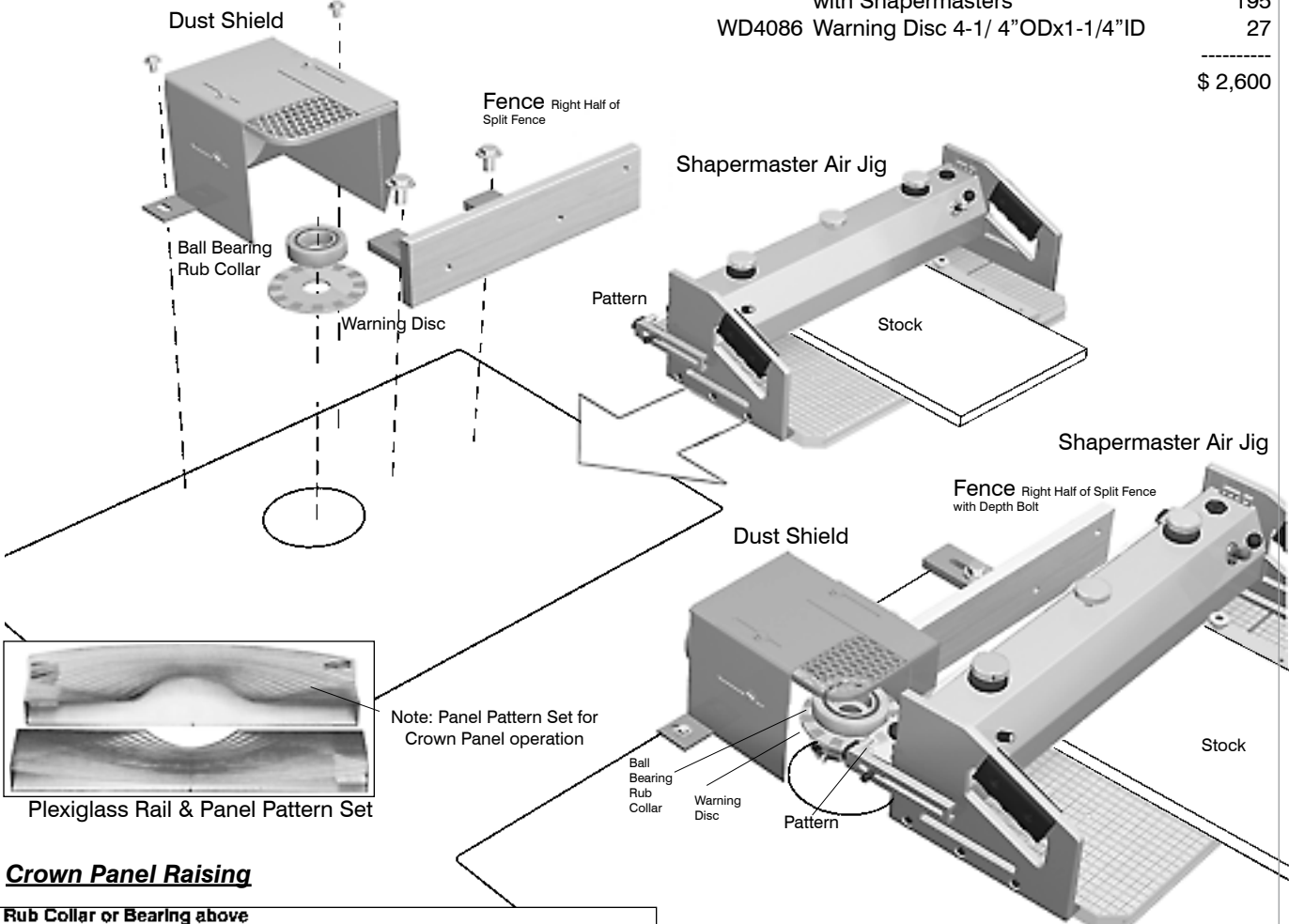
Shaper Essentials™
FLAT MOUNT



Crown Panel Raising Setup - Flat Mounting - Air Jig

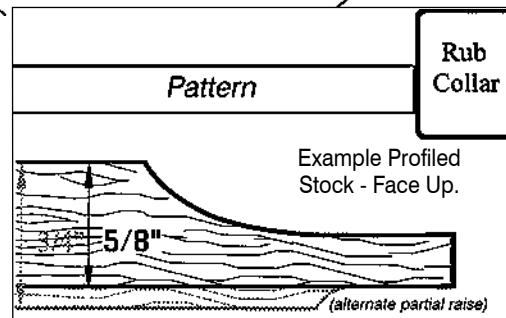
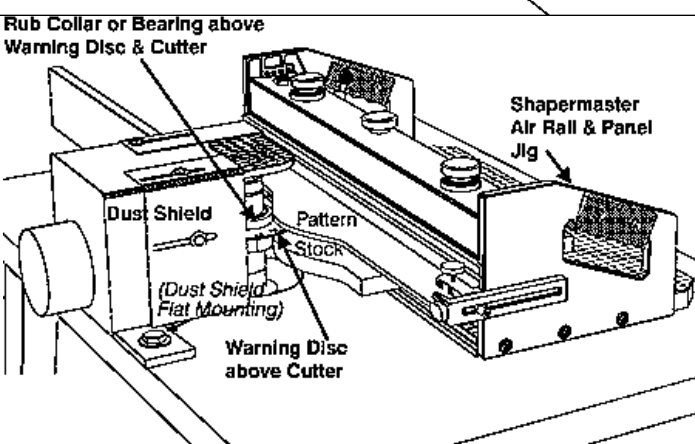
Item#	Description	Price
AJ2402	Shapermaster 24" x 12"	1,995
PA2417	Plexiglass Patterns - 1-1/2" Crown Rail & Panel	249
BBRC	Ball Bearing Rub Collar	59
FE78	Right Half of Split Fence	75
DS470F	Dust Shield for Rail & Panel with Shapermasters	195
WD4086	Warning Disc 4-1/4"ODx1-1/4"ID	27

		\$ 2,600



Note: Panel Pattern Set for Crown Panel operation

Crown Panel Raising



MANUFACTURED IN U.S.A.

Phone 1-913-831-1800

CALL TOLL FREE 1-800-255-6214

Fax 1-913-831-2974

Copyright © 2012 all Rights Reserved

WEAVER COMPANY - 1108 SOUTH 37TH STREET - KANSAS CITY, KS 66106 USA

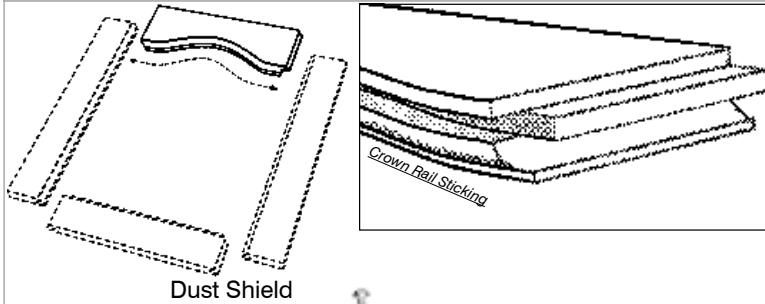
- 159 -

Notes

WEAVER

Crown Rail Sticking
Shapermaster™ Air Jig - Bearing

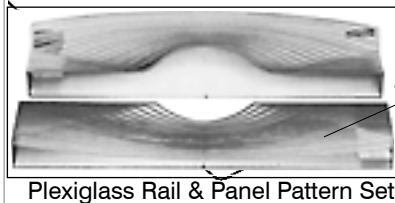
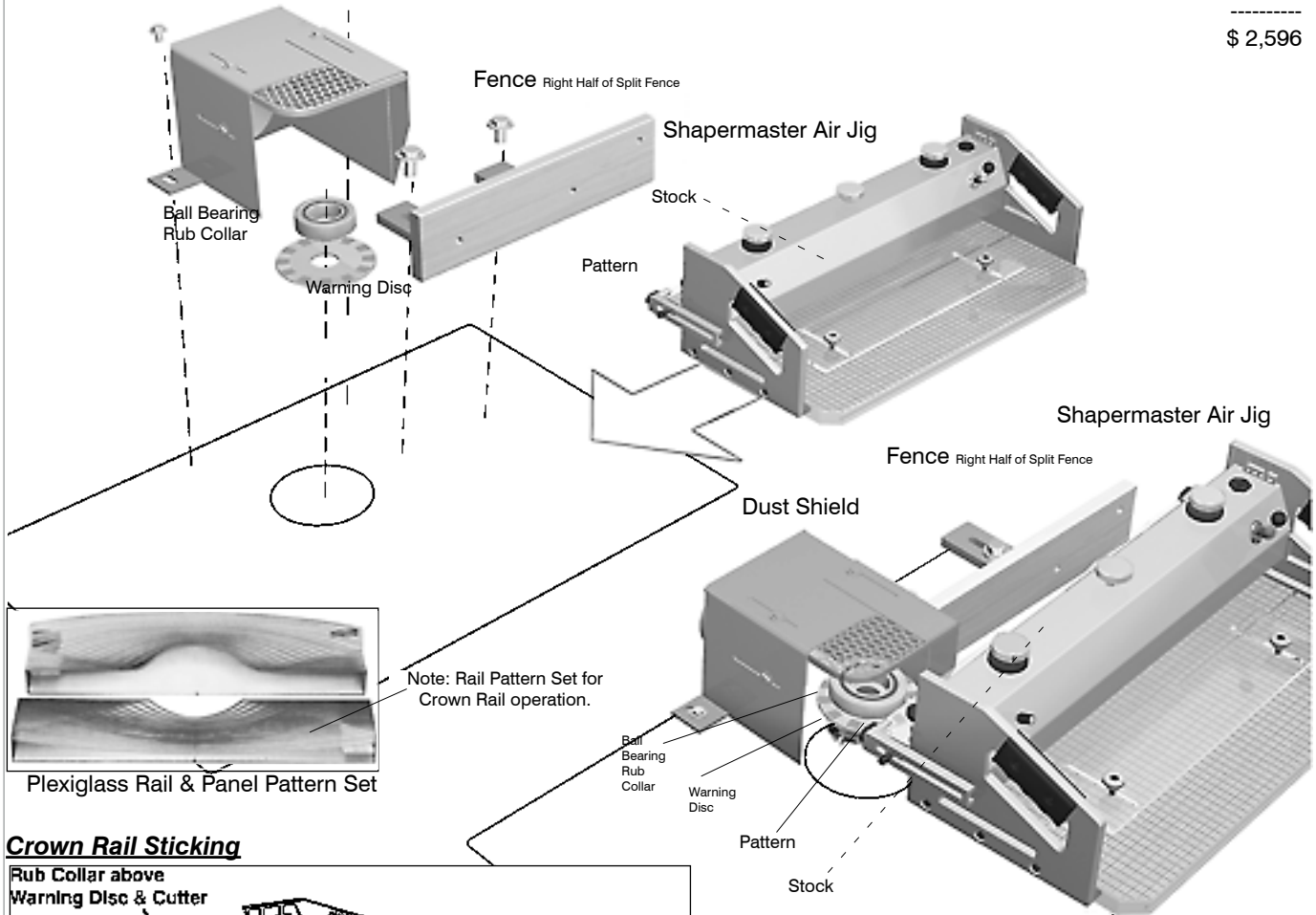
Shaper Essentials™
FLAT MOUNT



Crown Rail Sticking Setup - Flat Mounting - Air Jig

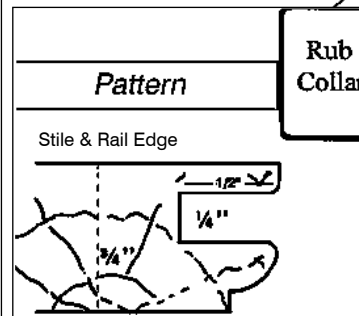
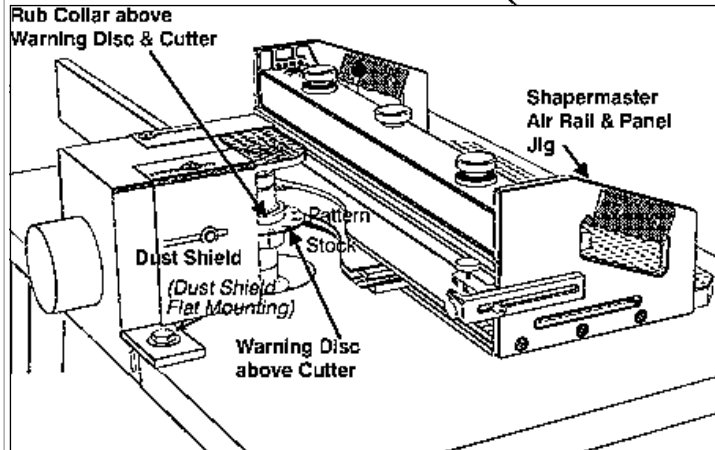
Item#	Description	Price
AJ2402	Shapermaster 24" x 12"	1,995
PA2417	Plexiglass Patterns - 1-1/2" Crown Rail & Panel	249
BBRC	Ball Bearing Rub Collar	59
FE78	Right Half of Split Fence	75
DS470F	Dust Shield for Rail & Panel with Shapermasters	195
WD4086	Warning Disc 4-1/4"ODx1-1/4"ID	23

		\$ 2,596



Note: Rail Pattern Set for Crown Rail operation.

Crown Rail Sticking



Example Profiled Stock - Face Down.

MANUFACTURED IN U.S.A.

www.weaver-company.com

Phone 1-913-831-1800

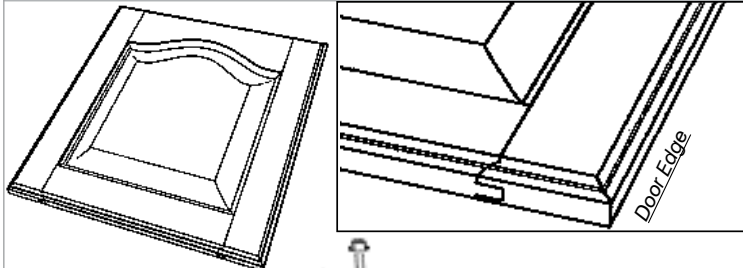
CALL TOLL FREE 1-800-255-6214

Fax 1-913-831-2974

Copyright © 2012 all Rights Reserved

WEAVER COMPANY - 1108 SOUTH 37TH STREET - KANSAS CITY, KS 66106 USA

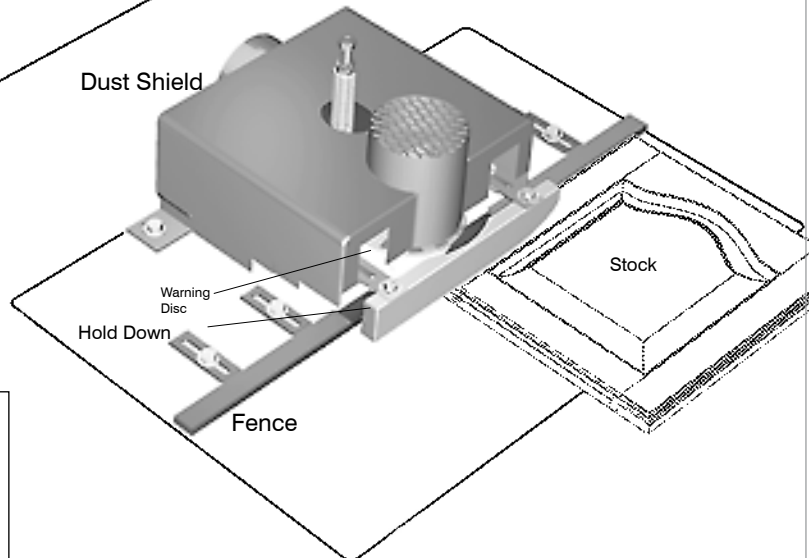
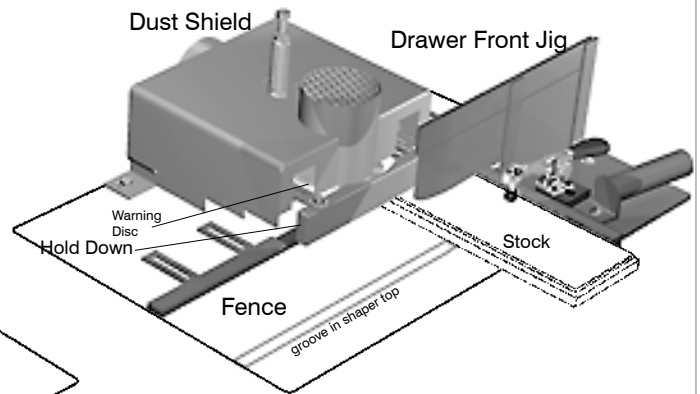
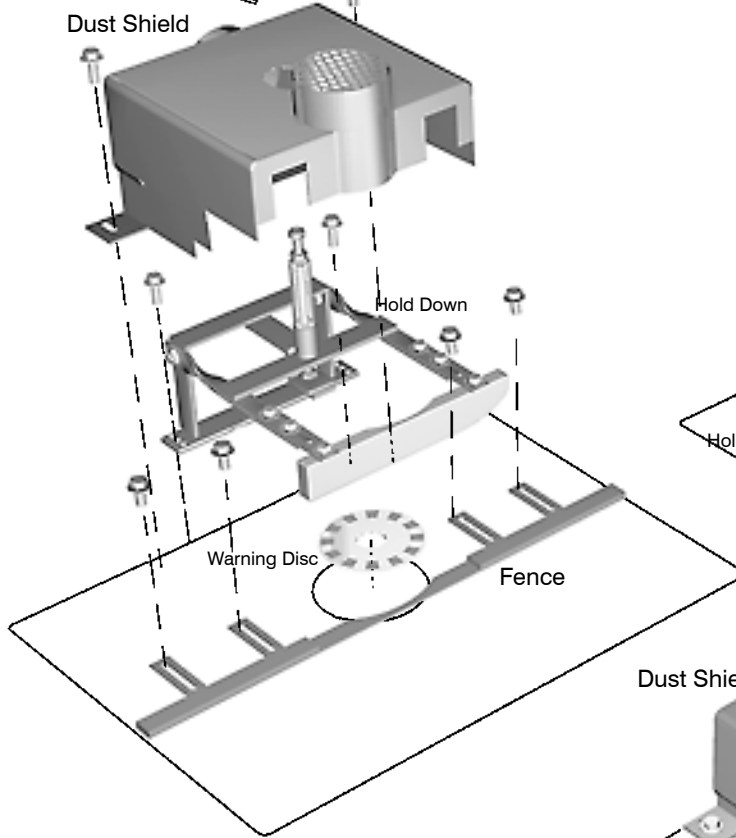
- 161 -



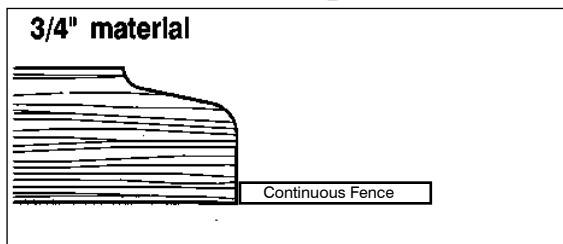
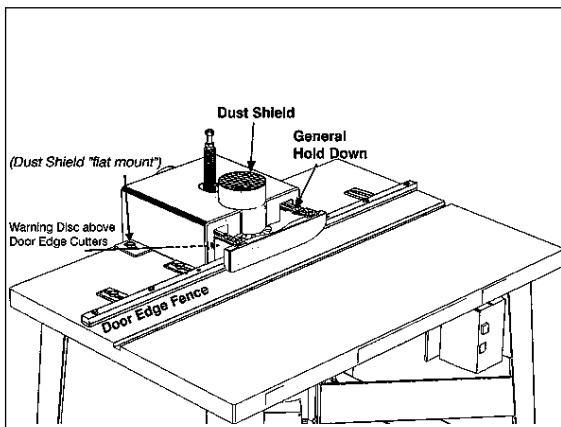
Door Edge Setup - Flat Mount - Continuous Fence (face up)

Item#	Description	Price
FEDE	Continuous Door Edge Fence 40"	199
HD3160	General Hold Down	199
HD222	Drawer Ends Hold Down	169
DS480F	Dust Shield for Door Edge	249
WD5086	Warning Disc	23

		\$ 839



Door Edge - Continuous Fence



MANUFACTURED IN U.S.A.

Phone 1-913-831-1800

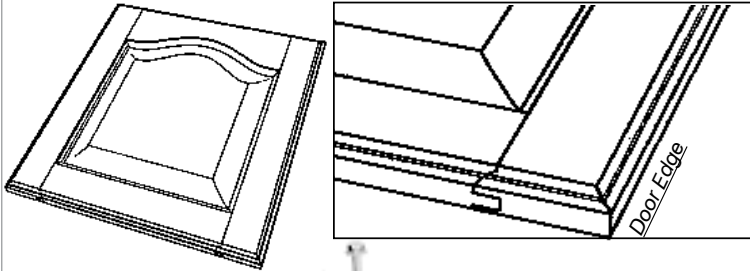
CALL TOLL FREE 1-800-255-6214

Fax 1-913-831-2974

WEAVER

**Door Edge
Split Fence**

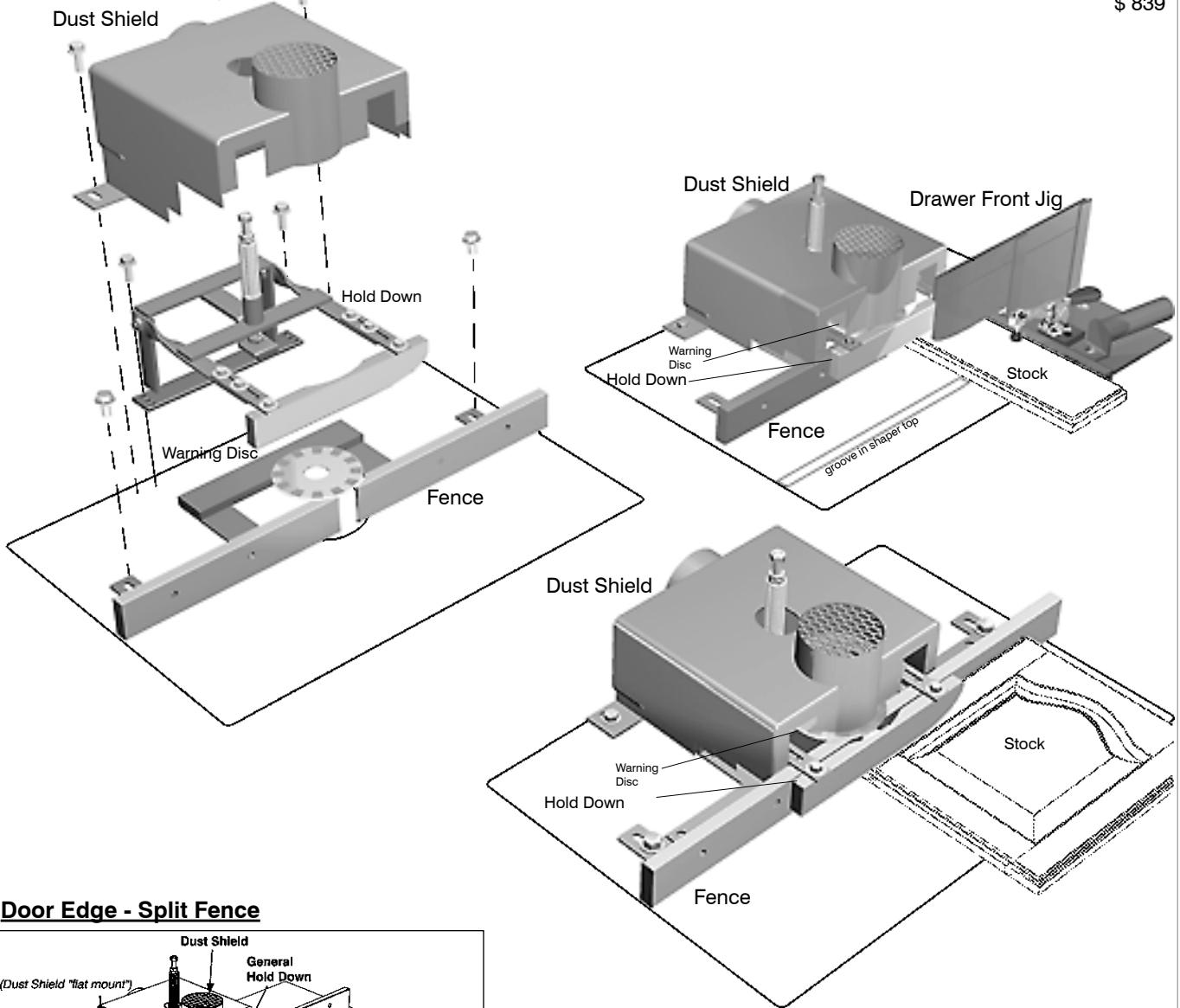
**Shaper Essentials™
FLAT MOUNT**



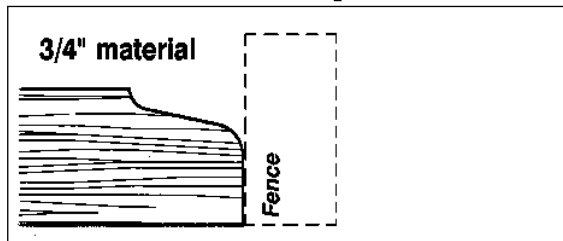
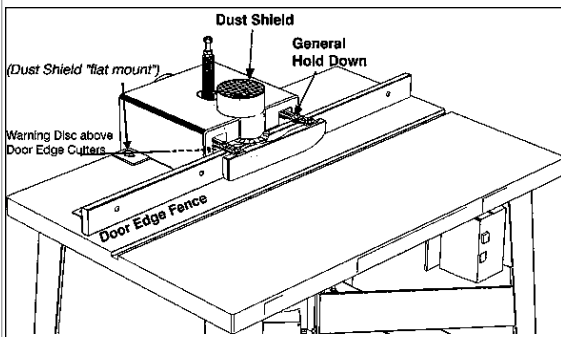
**Door Edge Setup - Flat Mount -
Split Fence (for full edge)**

Item#	Description	Price
FE5640	Split Door Edge Fence w/Dual Adj.	199
HD3160	General Hold Down	199
HD222	Drawer Ends Hold Down	169
DS482F	Dust Shield for Door Edge	249
WD5086	Warning Disc	23

		\$ 839



Door Edge - Split Fence



MANUFACTURED IN U.S.A.

www.weaver-company.com

Phone 1-913-831-1800

CALL TOLL FREE 1-800-255-6214

Fax 1-913-831-2974

Copyright © 2012 all Rights Reserved

WEAVER COMPANY - 1108 SOUTH 37TH STREET - KANSAS CITY, KS 66106 USA

- 163 -