

WEAVER

4 Shaper House Door System

Raised Panel Mullion & Glass Mullion Doors

House Door Shaper Systems
Entry - Passage - Interior - Exterior

Crown Rail, Panel & Mullion Shaper
1 Ph. \$11,680, 3 Ph. \$11,480

Crown Tenon, Sticking & Panel Raising

Straight Panel Raising

Straight Panel Raising Shaper
1 Ph. \$8,713, 3 Ph. \$8,513

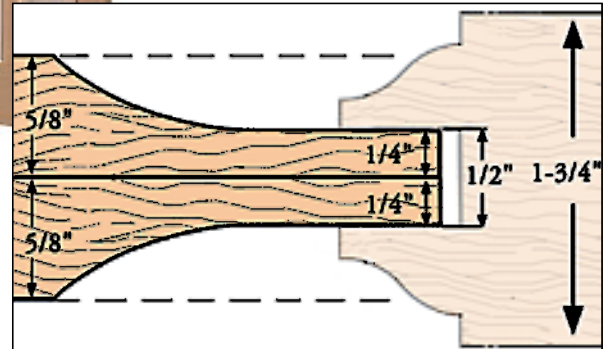
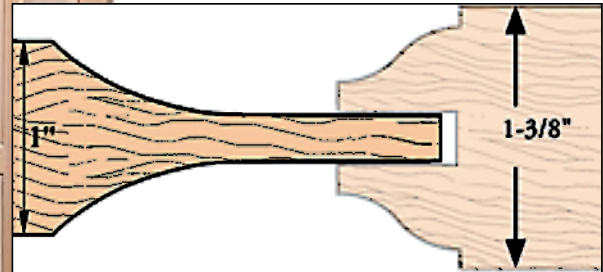
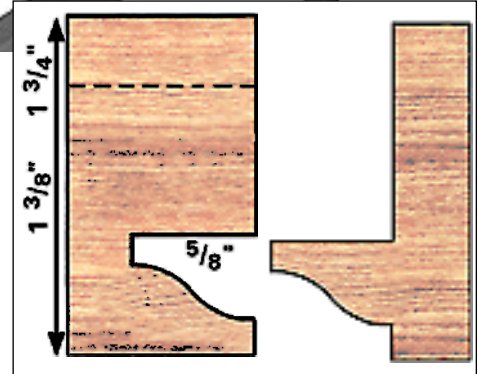
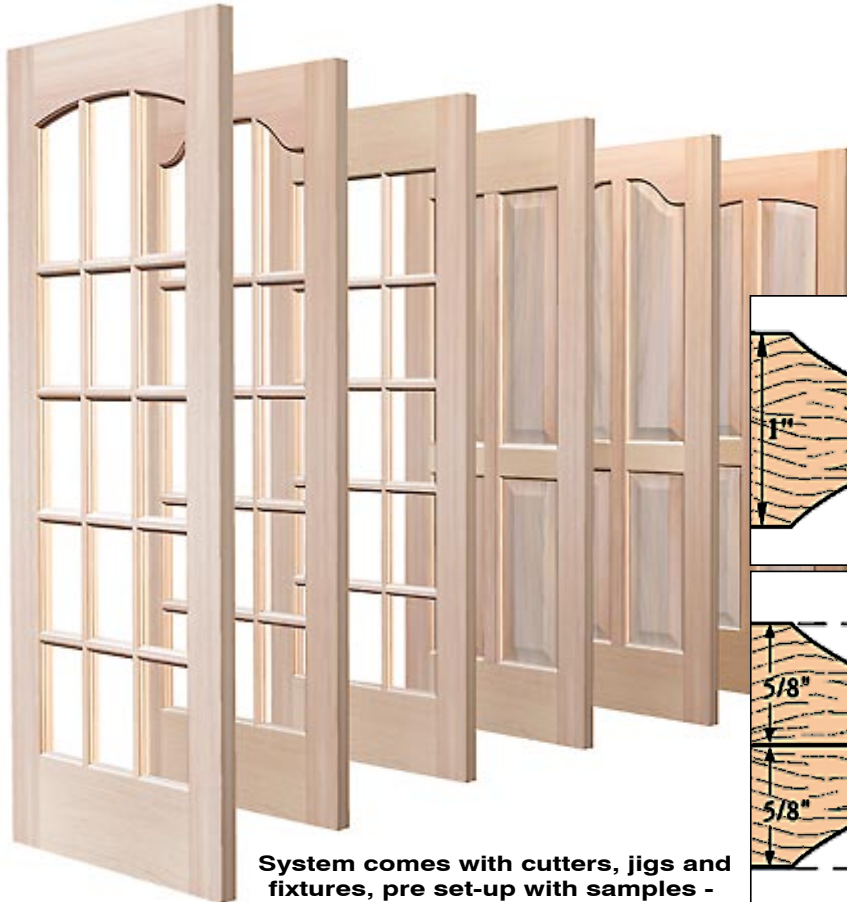
Straight Sticking

Straight Sticking Shaper
1 Ph. \$8,331, 3 Ph. \$8,131

Straight Tenon Shaper
1 Ph. \$7,749, 3 Ph. \$7,549

Straight Tenon

4 Shaper Crown Panel & Crown Glass Mullion Doors System
1 Ph \$37,954 - 3 Ph \$37,154



System comes with cutters, jigs and fixtures, pre set-up with samples - ready to work.

MANUFACTURED IN U.S.A.

www.weaver-company.com

Phone 1-913-831-1800

CALL TOLL FREE 1-800-255-6214

Fax 1-913-831-2974

Copyright © 2012 all Rights Reserved

WEAVER COMPANY - 1108 SOUTH 37TH STREET - KANSAS CITY, KS 66106 USA

- 45 -

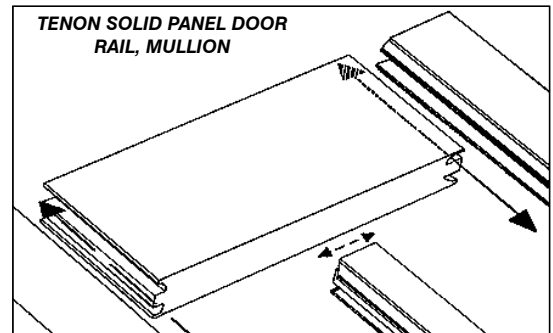
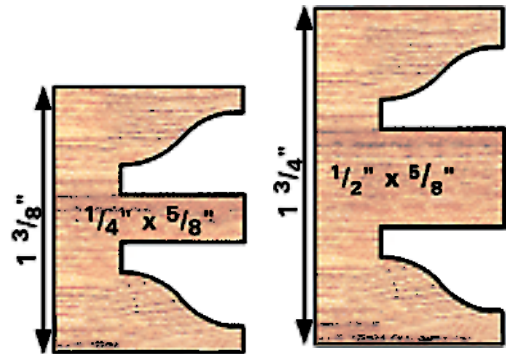
**House Door
Shaper Systems**
Entry - Passage - Interior - Exterior

Straight Tenon Shaper

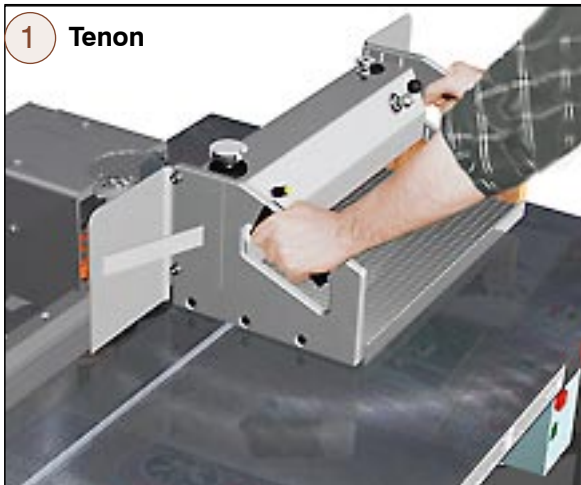
WEAVER

Note: In some of our pictures and illustrations the warning discs, dust shields, and some accessories have been removed for better illustration of the cutter and work.

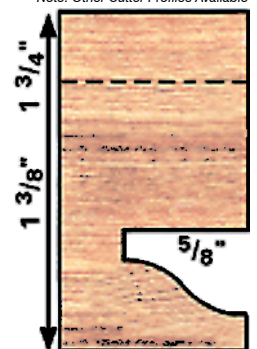
Shaper 5HP
(1-1/4" Spindle, 28"x40" top
with Table Top Groove)



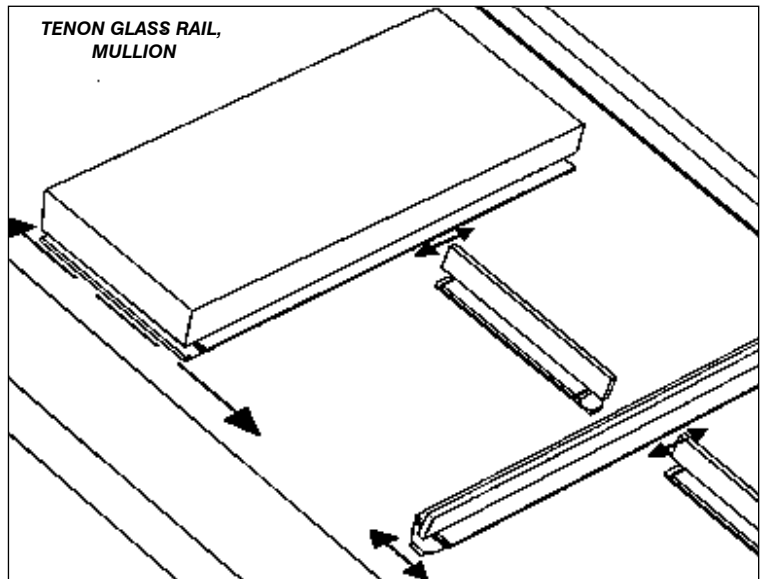
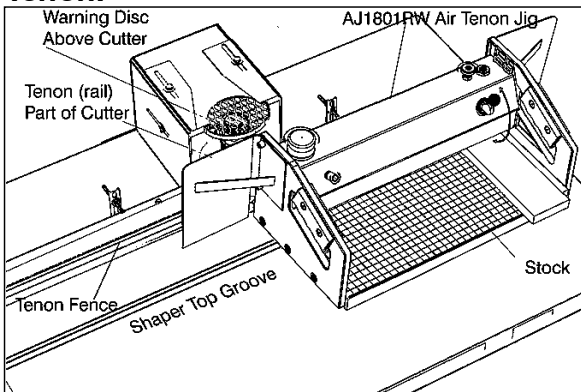
Note: Other Cutter Profiles Available



The Air Tenon Jig secures the rail with pneumatic clamp and glides on a thin cushion of air making the operation effortless.



Tenon:



MANUFACTURED IN U.S.A.

Phone 1-913-831-1800

CALL TOLL FREE 1-800-255-6214

www.weaver-company.com

Fax 1-913-831-2974

A Shaper 5HP
(1-1/4" Spindle, 28"x40" top)
with Shaper Top Groove.



STRAIGHT TENON SHAPER

Item#	Description	Price
SH2536	Shaper Large 5 HP 3PH 1-1/4" Spindle 28" x 40" Top	3,690
SH2X39	Shaper Top Groove 3/8" x 3/4" x 40"	135
AJ1801RW	Jig Air Tenon 18" Right with Wings	1,750
AJXHDM	Blow Out Block House Door Mullion (2)	150
AJXTGM	Blow Out Block House Door True Glass Mullion	150
FE5640	40" Split Fence	199
PC11-021C-1-3/8	Cutter Set House Door 1-3/8" - Tenon	471
PC11-021C-1-3/4	Cutter Set House Door 1-3/4" - Tenon	471
PC11-021-C-GD-1-3/4	Cutter Set Glass House Door 1-3/8" - 1-3/4" - Tenon	320
SPA600625	Spacer 1-1/4" Bore x 1/16" Thick (2)	18
WD4246	Warning Disc 4-3/4" OD x 1-1/4" ID	n/c
DS440	Dust Shield 4" for Air Tenon Jig	125
WR6180	Wrench - Bottom all Spindles	35
WR620	Wrench - Top 1-1/4" Spindle	35

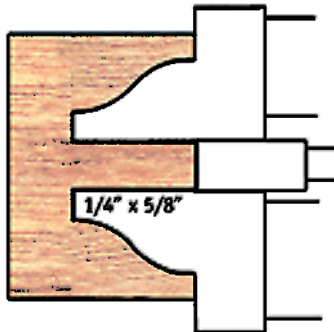
Straight Tenon Shaper Total:

\$ 7,749 **\$ 7,549**
(1 Phase) - (3 Phase)

Note: Other Cutter Profiles Available

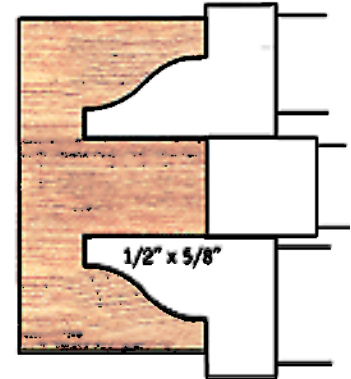
B

Note: Rail Half for this shaper/operation



C

Note: Rail Half for this shaper/operation



D

Note: Rail Half for this shaper/operation



E

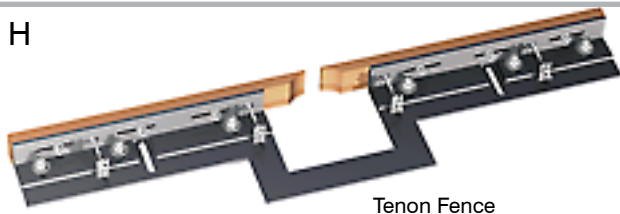


F



G

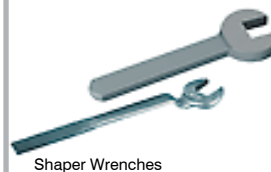
H



I



J



K



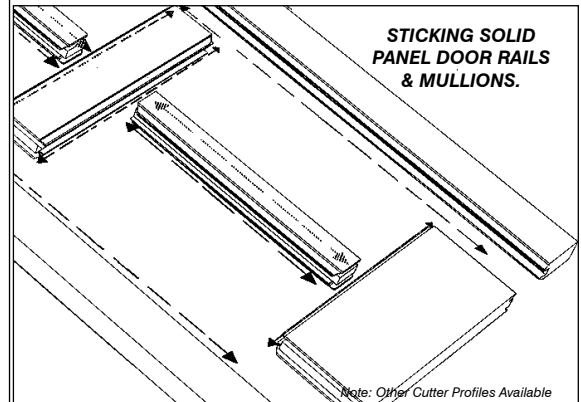
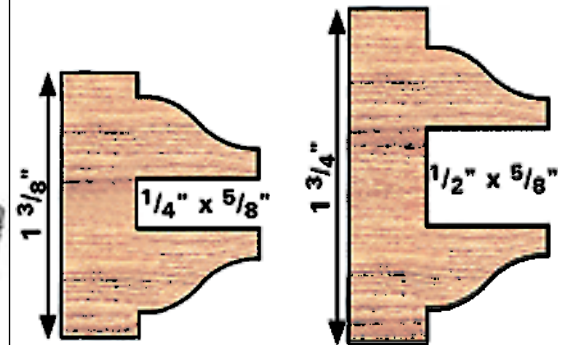
MANUFACTURED IN U.S.A.

**House Door
Shaper Systems**
Entry - Passage - Interior - Exterior

Straight Sticking Shaper

WEAVER

Note: In some of our pictures and illustrations the warning discs, dust shields, and some accessories have been removed for better illustration of the cutter and work.

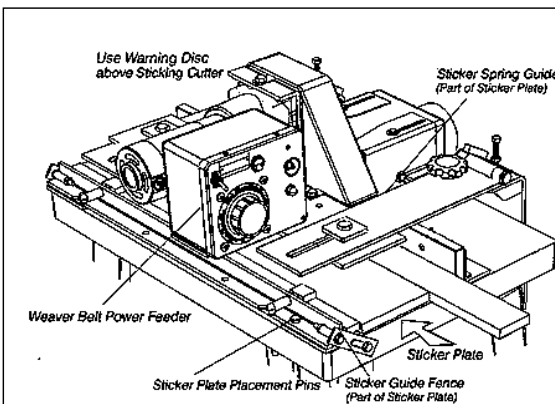
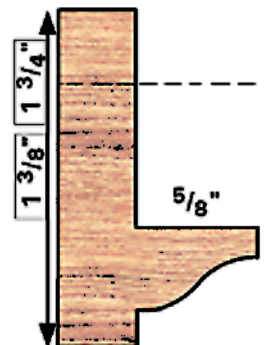


Note: Other Cutter Profiles Available

2 STILE AND RAIL STICKING

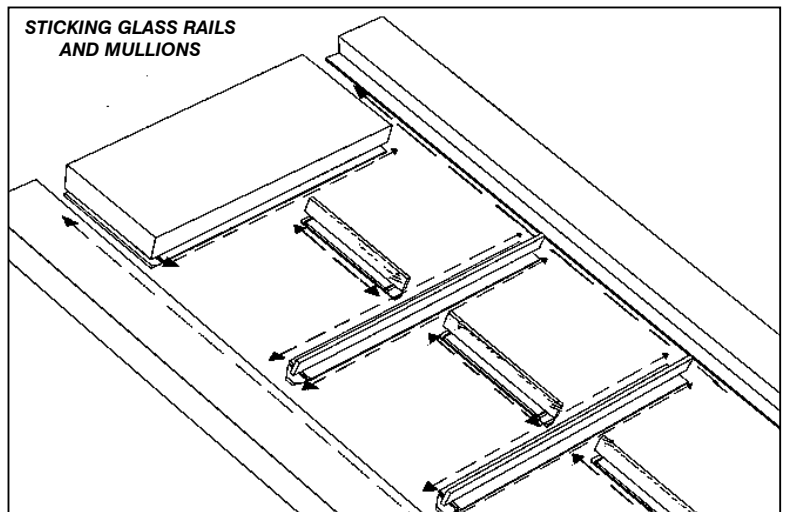


This Sticking set up sizes material at the same time it is being shaped. It cuts consistently and easily.



Straight Sticking

MANUFACTURED IN U.S.A.



Phone 1-913-831-1800

CALL TOLL FREE 1-800-255-6214

www.weaver-company.com

Fax 1-913-831-2974



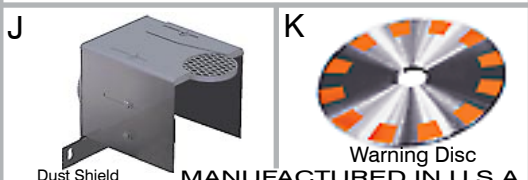
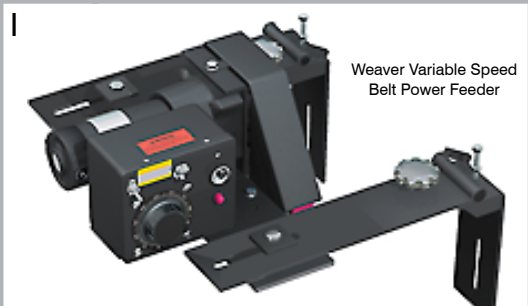
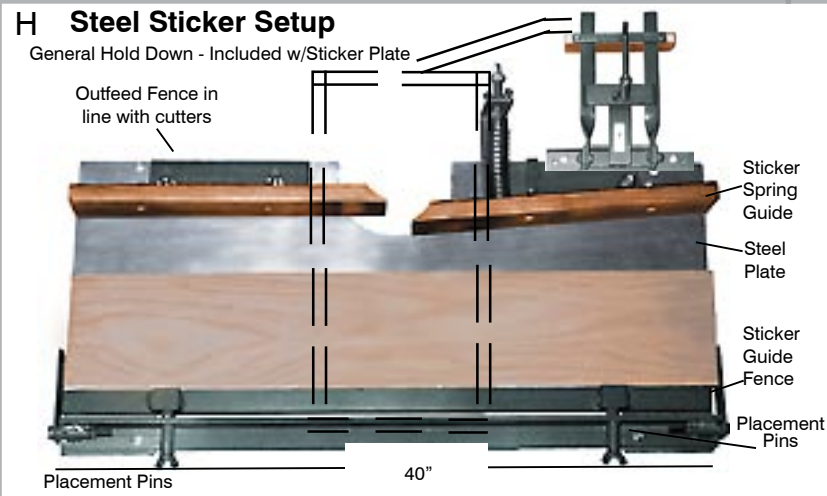
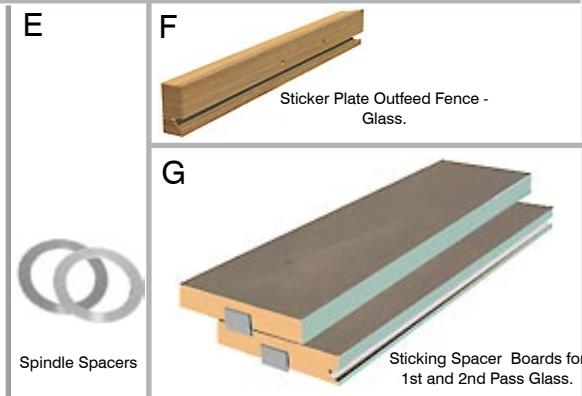
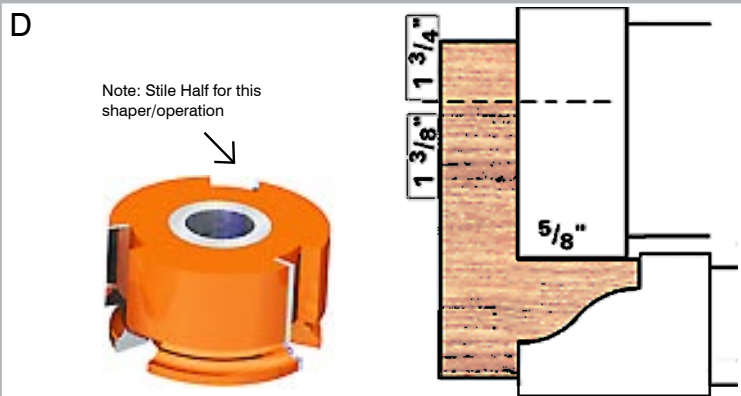
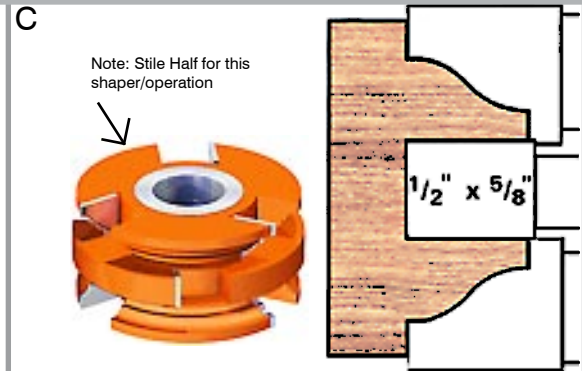
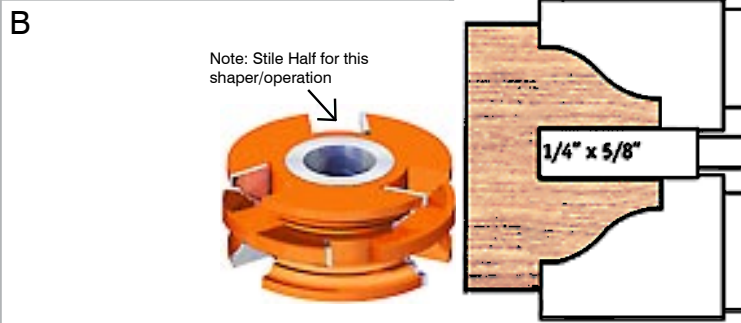
STRAIGHT STILE & RAIL SHAPER

Item#	Description	Price
SH2536	Shaper - Large 5hp 3ph 1-1/4" Spindle - 28" x 40" Top	3,690
PF721W	2 Belt 1 Bond Power Feeder Weaver Mount Variable Speed	1,995
FE361H	Large Steel Sticker Setup w/Hold Down	779
FEXSFTG	Outfeed Fence Block - Glass	159
FEXSSTGMB1P	Sticker Spacer Board - True Glass Mullion - 1st Pass	44
FEXSSTGMB1P	Sticker Spacer Board - True Glass Mullion - 2nd Pass	159
PC11-021-P-1-3/8	Cutter Set House Door 1-3/8" - Sticking	421
PC11-021-P-1-3/4	Cutter Set House Door 1-3/4" - Sticking	421
PC11-021-P-GD-1-3/4	Cutter Set Glass House Door 1-3/8" - 1-3/4" - Sticking	320
SPA600625	Spacer 1-1/4" Bore x 1/16" Thick	18
WD4086	Warning Disc 4-1/4" OD x 1-1/4" ID	125
DS450	Dust Shield 4" for Stiles	n/c

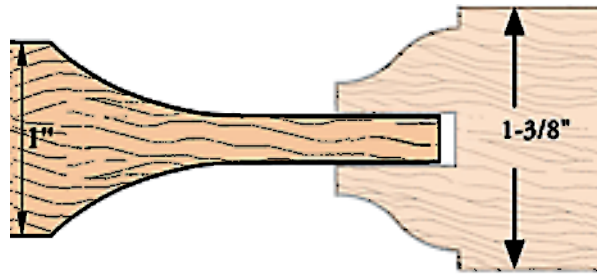
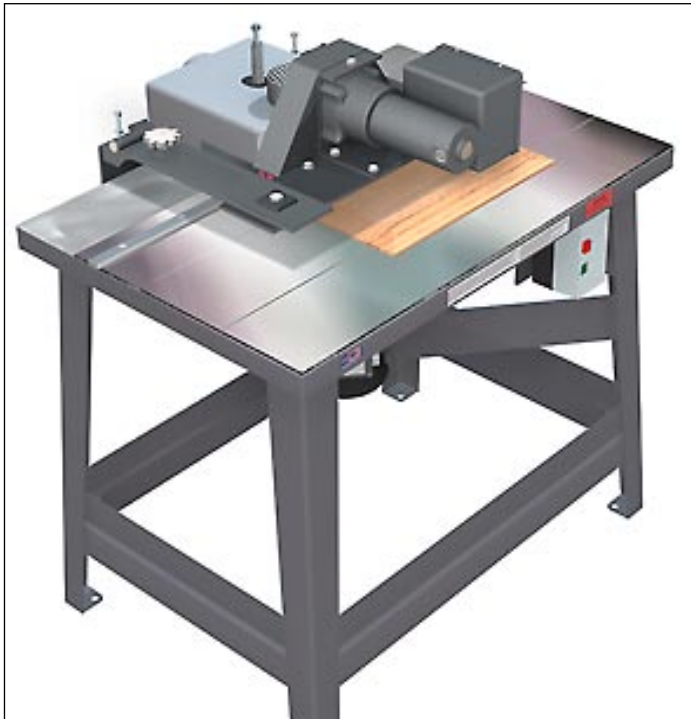
Straight Sticking Shaper Total:

\$ 8,331 \$ 8,131
(1 Phase) - (3 Phase)

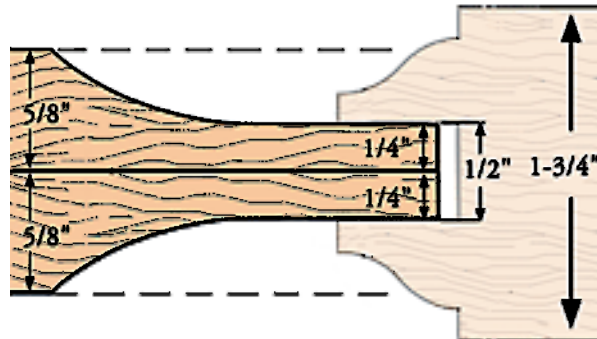
Note: Other Cutter Profiles Available



Note: In some of our pictures and illustrations the warning discs, dust shields, and some accessories have been removed for better illustration of the cutter and work.

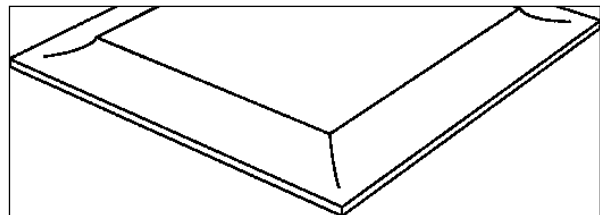


Double Raised Panels 1" Stock



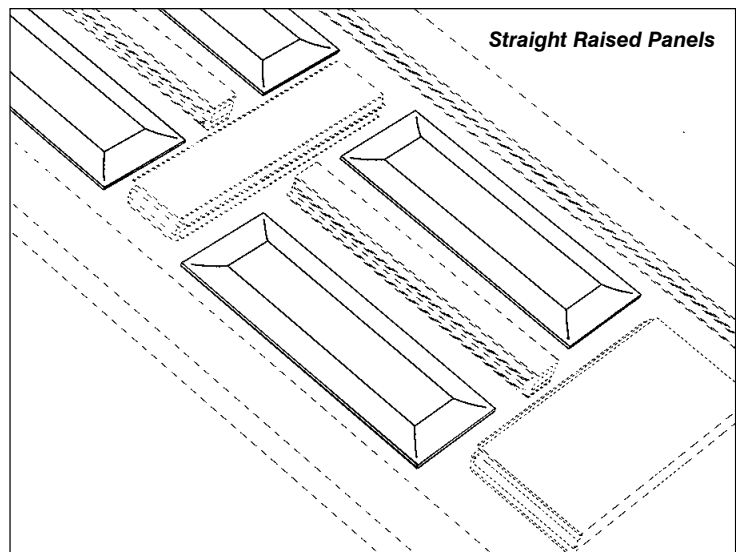
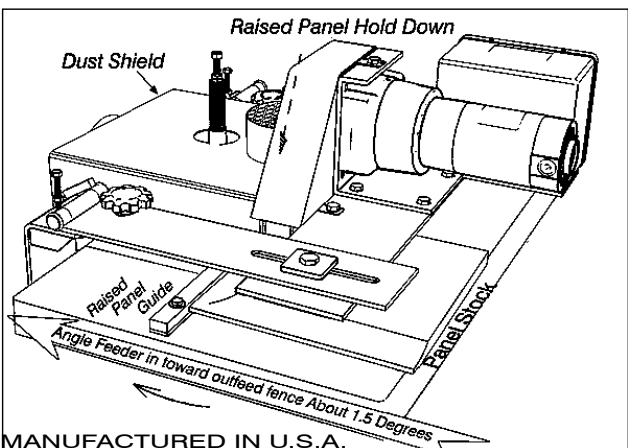
Back to Back Raised Panels 5/8" Stock

Note: Other Cutter Profiles Available



The Power Feeder and Guides ensure the work is accurate.

3 STRAIGHT PANEL RAISING



Straight Raised Panels

A Shaper 7-1/2 HP
(1-1/4" Spindle, 28"x40"top)



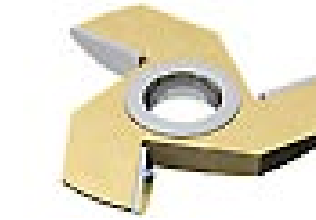
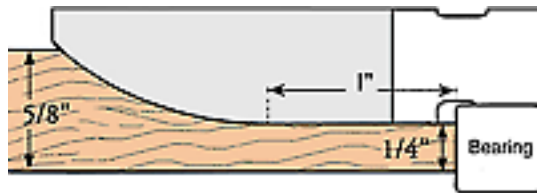
STRAIGHT PANEL RAISING SHAPER

Item#	Description	Price
SH2736	Shaper - Large 7-1/2 HP 3PH 1-1/4" Spindle - 28" x 40" Top	3,910
SHXPL02	Steel Plate Panel Raising - 1/4" for Large Top	250
PGD2.25X40X1	Panel Guides Panels Double 2-1/4" X 40" X 1" Thick Panels	159
PGS2.25X40	Panel Guides Single 1-1/4" X 40"	159
LRHX-305-SA	Raised Panel Cutter - Single Raise	455
LRHX-305-SB-BB	Double 1 " Panel Raiser 1-1/4" Bore	1,000
BB2086	Ball Bearing Rub Collar 2-1/4" OD x 1-1/4" ID (2)	78
SPA125	Adjustable Spacer 1-1/4" Bore	79
HD3103	Raised Panel Hold Down w/Rim Weaver Mount	229
WD6166	Warning Disc - 6-1/2" OD x 1-1/4" ID	n/c
PF721W	2 Belt 1 Bond Power Feeder Weaver Mount Variable Speed	1,995
DS460	Dust Shield 4" Panel Straight Using a Hold Down	199

Straight Panel Raising Shaper Total: **\$ 8,713** **\$8,513**
(1 Phase) - (3 Phase)

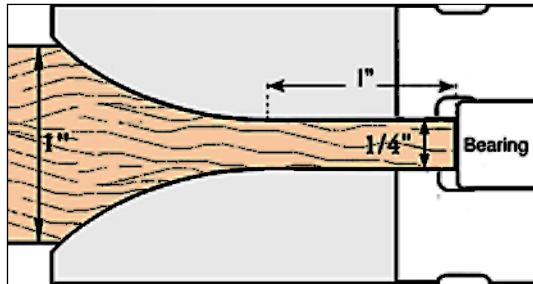
Note: Other Cutter Profiles Available

B



X-305-SA Raised Panel Cutter - Single Raise

C



X-305-SB Raised Double Raised Panel Cutters

D



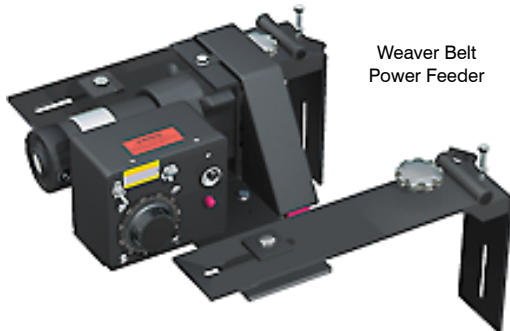
Raised Panel Guides - Double Raise 1" Stock w/Bearing

G



Raised Panel Guides - Single Raise w/Bearing

I



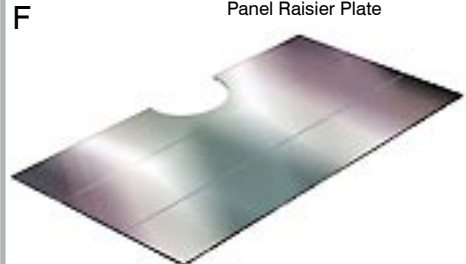
Weaver Belt Power Feeder

E



Raised Panel Hold Down

F



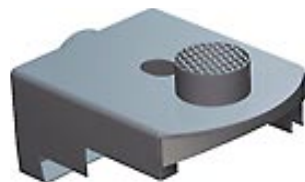
Panel Raiser Plate

H



Adjustable Spacer

J



Raised Panel Dust Shield

K

Warning Disc



MANUFACTURED IN U.S.A.

www.weaver-company.com

Phone 1-913-831-1800

CALL TOLL FREE 1-800-255-6214

Fax 1-913-831-2974

Copyright © 2012 all Rights Reserved

WEAVER COMPANY - 1108 SOUTH 37TH STREET - KANSAS CITY, KS 66106 USA

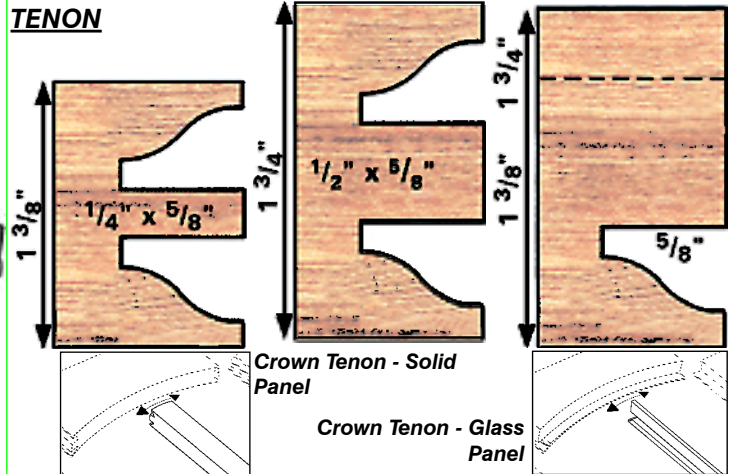
- 51 -

Note: In some of our pictures and illustrations the warning discs, dust shields, and some accessories have been removed for better illustration of the cutter and work.

CROWN STICKING, PANEL RAISING & CURVED END MULLION SHAPER SETUP

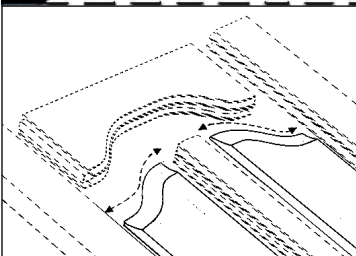
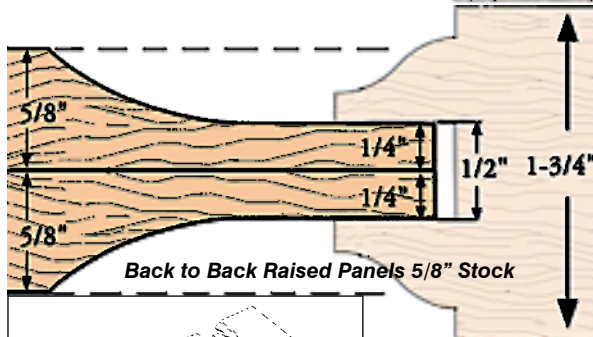
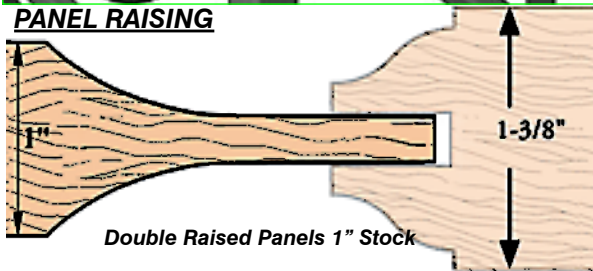


TENON



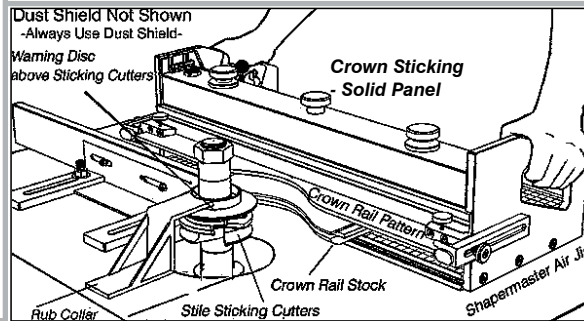
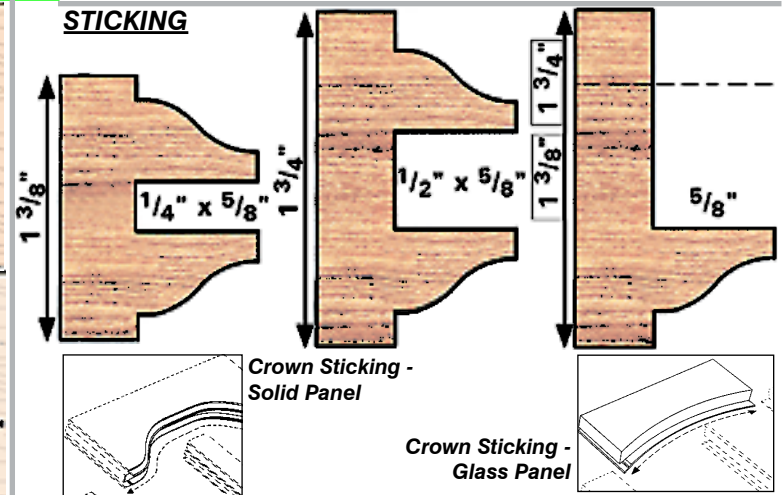
Note: Other Cutter Profiles Available

PANEL RAISING



Crown Panel Raising

STICKING

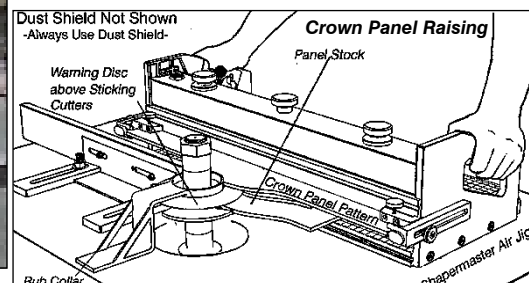


Dust Shield Not Shown
-Always Use Dust Shield-
Warning Disc
above Sticking Cutters

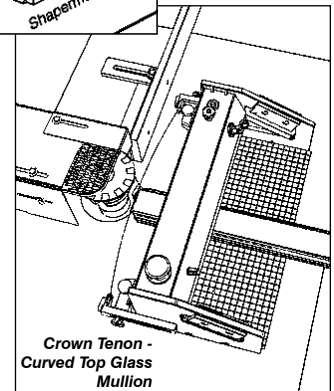
4 CROWN SHAPING WITH THE SHAPERMASTER™



This setup will shape the crown rail, crown panel or curved mullion (Tenon) as the pattern follows the rub collar. The operation is made easier by the Jig gliding on a thin cushion of air.



Dust Shield Not Shown
-Always Use Dust Shield-
Warning Disc
above Sticking Cutters



MANUFACTURED IN U.S.A.

Phone 1-913-831-1800

CALL TOLL FREE 1-800-255-6214

Fax 1-913-831-2974

www.weaver-company.com

WEAVER COMPANY - 1108 SOUTH 37TH STREET - KANSAS CITY, KS 66106 USA

Copyright © 2012 all Rights Reserved

A Shaper 7-1/2 HP
(1-1/4" Spindle, 28"x40"top)



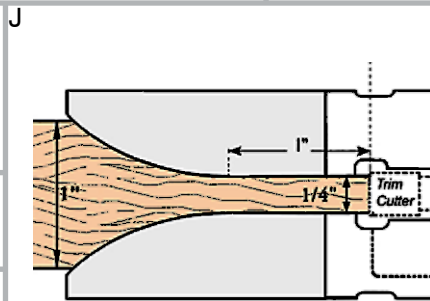
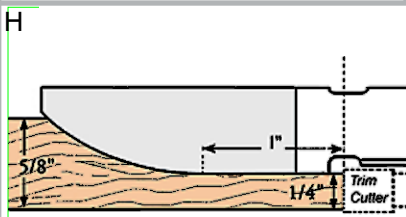
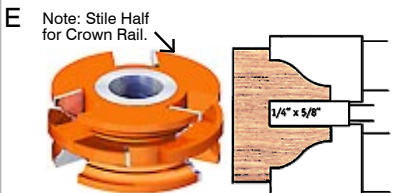
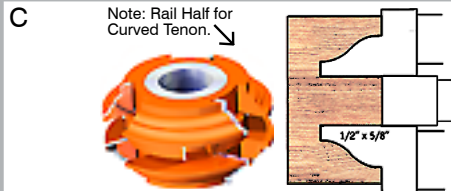
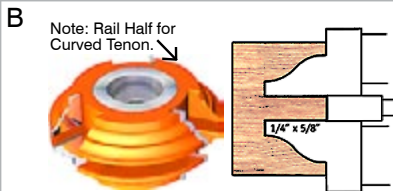
CROWN SHAPING SETUP

Item#	Description	Price
SH2736	Shaper - Large 7-1/2 HP 3 PH 1-1/4" Spindle - 28" x 40" Top	3,910
PC11-021	Cutter Set House Door 1-3/8"	941
PC11-021	Cutter Set House Door 1-3/4"	941
PC11-021GP	Cutter Set Glass House Door 1-3/8" - 1-3/4"	639
LRHX-305-SA	Raised Panel Cutter - Single Raise	455
LRHC-CUTTER	Panel Trim Cutter 2-1/4" OD x 1-1/4" Bore	112
LRHX-305-SB-BB	Double 1" Panel Recessed for a Ball Bearing Rub Collar 1-1/4" Bore	1,000
DC20822	Dead Collar 2-1/4" OD x 2-3/4" Tall	112
DC22430	Dead Collar 2-3/4" OD x 3-3/4" Tall	85
FE77	Right Half Of Split Fence w/Depth Bolt	85
AJ3212	Jig-32" X 12" Shapermaster	75
AJXTGM	Blow Out Block - True Glass Mullion	2,695
PA3245	House Door Crown Rail & Panel Plexiglass 32" Patterns	150
PA3246	House Door Oval Rail & Panel Plexiglass 32" Patterns	595
SPA600625	Spacer 1-1/4" Bore x 1/16" Thick (6)	595
SPA125	Adjustable Spacer 1-1/4" Bore (3)	54
WD4246	Warning Disc - 4-1/4" x 1-1/4" ID (6)	237
WD6166	Warning Disc - 6-1/2" OD x 1-1/4" ID (2)	n/c
DS457	Dust Shield 4" Crown Rails w/Shapermaster	n/c
DS467	Dust Shield 4" Crown Panels w/Shapermaster	155
		125

Crown Shaper Total:

\$13,161 **\$12,961**
(1 Phase) - (3 Phase)

Note: Other Cutter Profiles Available

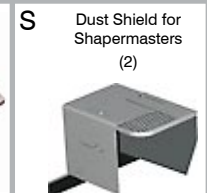
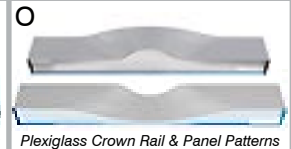
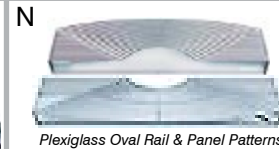


X-305-SA Single Raised Panel Cutter

Trim Cutter

X-305-SB Double Raised Panel Cutters

Trim Cutter



Right Half of Split Fence **MANUFACTURED IN U.S.A.**

www.weaver-company.com

Notes